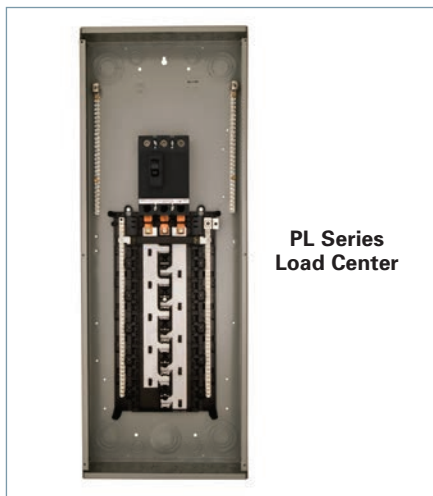
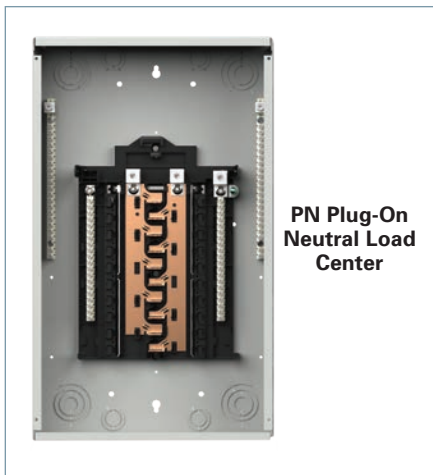


# Load Centers & Circuit Breakers

SPEEDFAX™



## Contents

### Load Centers

Catalog Numbering System	1-2
Plug-On Neutral Load Centers	1-3
Electronic Breakers and Surge Protection	1-4
PN Series 1-Phase Plug-On Neutral Load Centers	
Features	1-5
1-phase, 3-wire, 120/240 Volts AC Main Breaker/Convertible	1-6
1-phase, 3-wire, 120/240 Volts AC Main Lug/Convertible	1-7
SN Series 1-Phase Plug-On Neutral Load Centers	
Features	1-8
1-phase, 3-wire, 120/240 Volts AC Main Breaker	1-9
1-phase, 3-wire, 120/240 Volts AC Main Lug	1-10
1-phase, 3-wire, 120/240 Un-assembled Load Centers	1-11
1-phase, 3-wire, 120/240 Volts AC Specialty Main Lug and Breakers	1-12
PL and ES Series 3-Phase Load Centers	
Features	1-13
PL Series Main Lug and Main Breakers	1-14
PL Series Unassembled Load Centers	1-15
ES Series Main Lug and Main Breakers	1-16
EQ® Load Centers, 300-400 Amp	1-17
Generator Ready Load Centers	1-18
Riser Panel Load Centers	1-19
EQ® Load Centers, Small Circuit and Circuit Breaker Enclosures	1-20 – 1-21
Renovation Interiors	1-22
Load Center Accessories	1-23 – 1-26
Inhab® Smart Home Energy Management <b>NEW</b>	1-27 – 1-28
Knockout Diagrams	1-29 – 1-33
Load Center Cross Reference	1-34 – 1-42

### Circuit Breakers

Arc-Fault and Ground-Fault Breakers	1-43
Intelli-Arc® Diagnostic Tool <b>NEW</b>	1-44
Type QP, 1" Breakers	1-45
Duplex, Triplex and Quadplex Plug-In Breakers	1-46
Special Application Breakers	1-47
Type QD, 3/4" Breakers	1-48
Main and Branch Circuit Breakers	1-49
Circuit Breaker Dimension Drawings and Lug Data	1-50 – 1-51
Circuit Breaker Accessories	1-52 – 1-53

### Surge Protective Devices

SPD Circuit Breaker and Surge Protective Device	1-54
QSPD Residential Surge Protection for Load Centers	1-55
FSPD Series for External Applications	1-56
AC Disconnects and Enclosed Receptacles, 1-Phase, NEMA 3R Rated	1-57

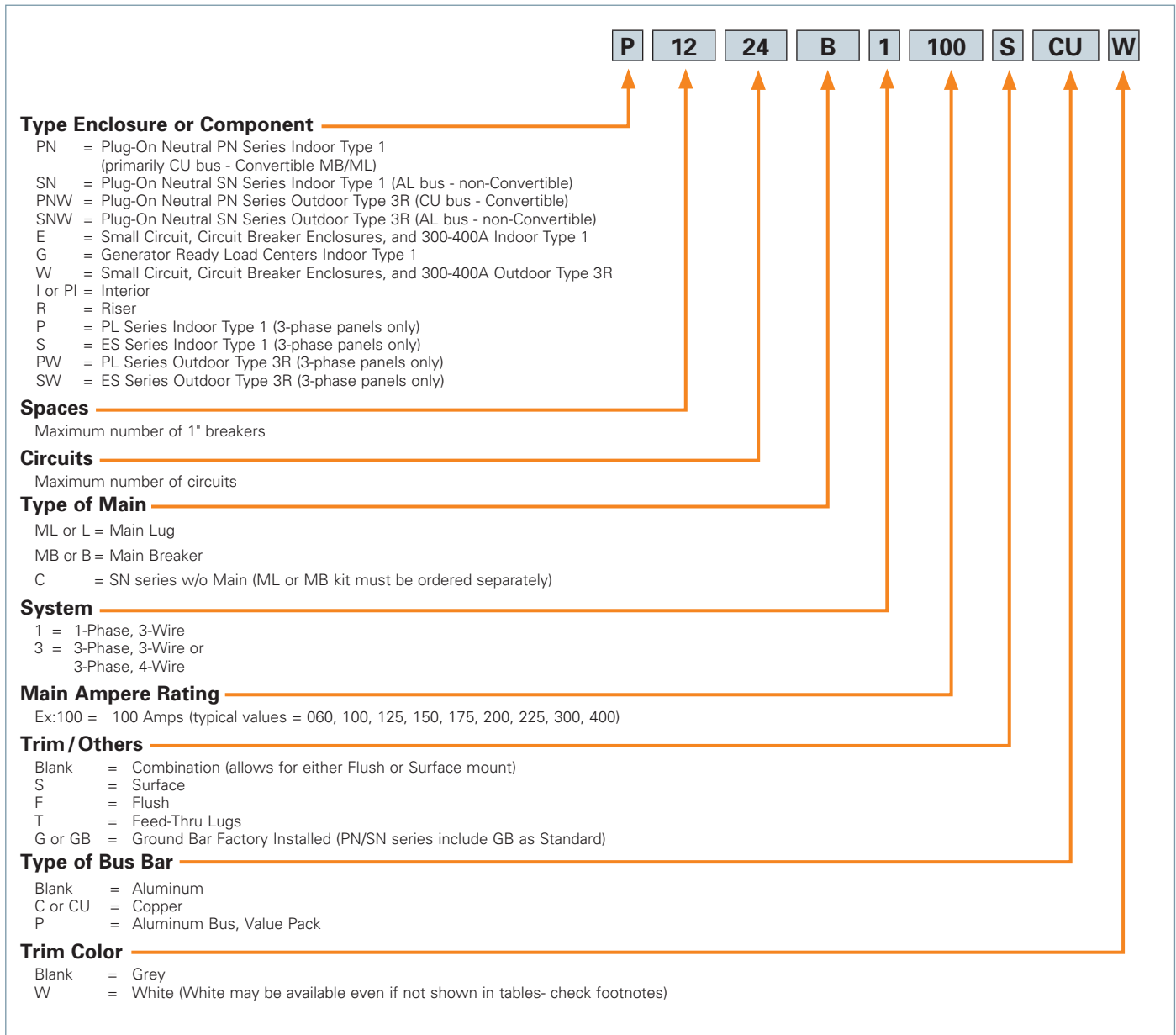
Scan to connect online to the most up-to-date version of this Section of SPEEDFAX.



# Load Centers

## Catalog Numbering System

## Catalog Numbering System



### Products Shown In Sections 1 of this Speedfax Meet or Exceed the Following Standards.

- UL50 — Electric Cabinets and Boxes
- UL67 — Electric Panelboards
- UL486 — Wire Connectors
- UL489 — Molded-Case Circuit Breakers
- UL869 — Service Equipment
- UL943 — Ground Fault interrupters (Class A — Personnel Protection)
- Federal Specification W-P-115b — Panel Power Distribution
- Federal Specification W-C-375B — Circuit Breakers
- NEC
- NEMA 250

### Underwriters' Laboratories, Inc.

#### Reference File Numbers:

- Series Connected Circuit Breaker Information is recognized by UL under file #E10848(N)
- Load Centers Listed by UL under file #E10703
- EQ Circuit Breakers are Listed by UL under file #E82615

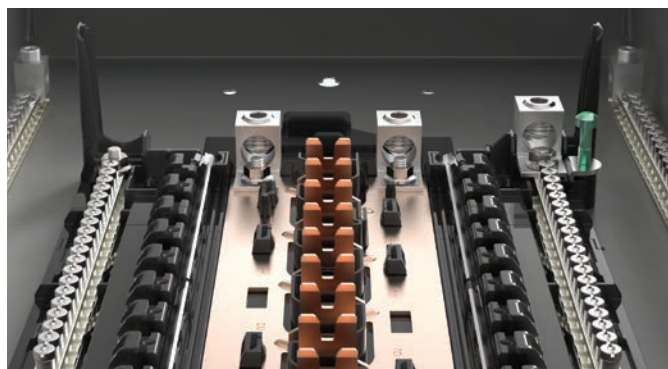
# Plug-On Neutral Load Centers

## Overview

### Plug-On Neutral Load Centers (PN / SN Series)

You have come to know Siemens solutions for their durability, innovation, and safety attributes. This continues with the plug-on neutral load center with electronic breakers to provide a more secure connection resulting in a more confident installation.

With an overall smaller electronic breaker footprint, the plug-on neutral load center still gives you over 4" of wire bending space, which allows for a simpler, cleaner, and faster path to a finished project.



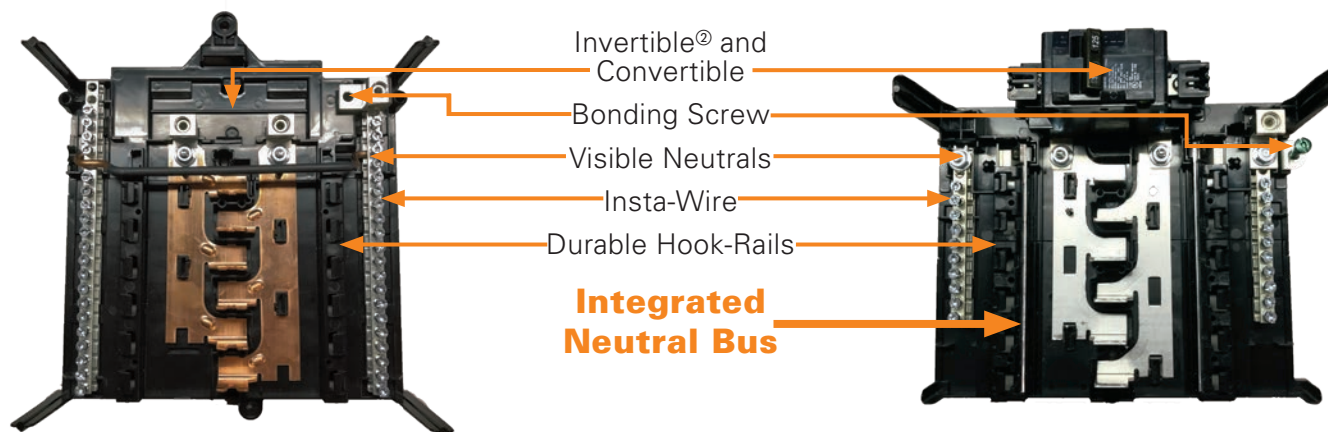
1  
LOAD CENTERS &  
CIRCUIT BREAKERS

# Simple Spacious Secure

- Quicker breaker installation
- Wiring made easier with the neutral lug removed on CAFCI breakers
- PN and SN Series have the same great features as PL and ES load centers
  
- Small electronic breaker footprint
- Design allows for neutral terminal accessibility
- Over 4 inches of wire bending space
  
- Same reliable installation method
- Neutral clip is the same as line side phase clip
- Durable hook-rail

### A Siemens Advantage

The plug-on neutral load center has the same great features of the PL and ES line, plus an integrated neutral bus.<sup>①</sup>



① PN panels are convertible and come with two ground bars. SN panels come with one ground bar.

② Applies only to NEMA 1 PN and SN plug-on neutral loadcenters.

# Electronic Breakers and Surge Protection

Complete Offering

## Electronic Breakers and Surge Protection

The new plug-on neutral load center is compatible with existing surge solutions including the QSPD series, the QSA breaker and FSPD stand-alone units which can be installed inside the load center, not taking branch breakers space.

For more information on the Surge Protection product line, see Section 1 on pages 1-54, 1-55, 1-56 and Section 10 on pages 10-5 and 10-6 of the Speedfax catalog at [usa.siemens.com/speedfax](http://usa.siemens.com/speedfax).



FSPD  
Surge Protection Device



QSPD Series



QSA Circuit Breaker and  
Surge Protection Device



1-Pole  
Combination Type AFCI



2-Pole  
Combination Type AFCI



1-Pole  
Dual Function



1-Pole  
GFCI

### Plug-on neutral breaker offering:

- 1 and 2-pole CAFCI
- 1-pole Dual Function (CAFCI/GFCI)
- 1-pole GFCI

### Features:

- Load Lug(s) only on the CAFCI breakers
- LED indicators for troubleshooting
- Insta-Wire connectors

### Technical Data:

- 10,000 AIC
- 120V
- UL Listed
- HACR and SWD rated

	Breaker Type	Ampere Rating	10,000 A IR Catalog No.
AFCI	QAF2N Plug-on Neutral 1-Pole 120V AC	15	QA115AFCN
		20	QA120AFCN
	QAF2N Plug-on Neutral 2-Pole 120/240V AC	15	Q215AFCN
		20	Q220AFCN
Dual Function	QFGA2N Plug-on Neutral 1-Pole 120V AC	15	Q115DFN
		20	Q120DFN
GFCI (5mA)	QPF2N Plug-on Neutral 1-Pole 120V AC	15	QF115AN
		20	QF120AN
		30	QF130AN

**Note:** Both plug-on neutral and existing pigtail breakers are listed for use in plug-on neutral load centers. For information on the complete product line, go to page 1-43.

# PN Series 1-Phase Plug-On Neutral Load Centers

## Features

- Convertible
- Invertible<sup>①</sup>
- Bonding Screw
- Visible Neutrals
- Insta-Wire
- Durable Hook-Rails
- Integrated Neutral Bus
- Extended Lifetime Warranty

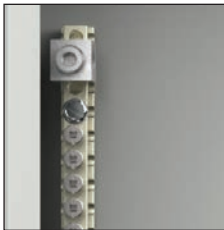
- Sku's with C suffix that are 150A and above are tin plated copper bus
- Tin plated copper bus stamped with CU to indicate copper
- 100% Neutral & Ground positions based on number of circuits
- Can use twin AFCI breakers in all PN & SN Series load centers
- Easy to install neutral kits. Click here for the [PN & SN Accessory and Replacement Parts Guide](#).
- Click here for [Siemens Warranty Information](#).
- All Type 1 PN Series Load Centers include Flush or Surface mount Combination Cover.

Invertible for bottom feed application.<sup>②</sup>

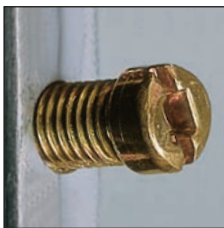


All devices convertible from main lug to main breaker and vice versa.

All devices are provided with 2 factory installed ground bars.



Combination head screw on the neutrals, ground, trim, upper pan, and bond screw provide installation flexibility.

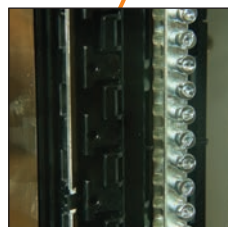


A rigid, sturdy base pan provides the ruggedness required for the most harsh applications.



The outdoor enclosure has a slide hinge door for the easiest installation and can be removed by backing out only one screw.

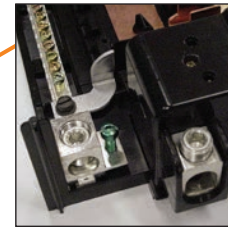
Copper Bus<sup>②</sup>



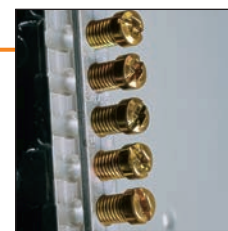
All devices come with an integrated neutral bus.



Mounting tabs on the trim hold it in place on the load center, freeing up both hands to drive the trim screws.



The pre-positioned bond screw eliminates bond strap/screw assemblies, and reduces the risk of losing components in the field.



The patented INSTA-WIRE<sup>™</sup> neutral/ground system allows for faster installation because screws are backed out, ready for wire insertion. The visible neutral and grounds system aids in the insertion of conductors.

1-Phase PN Series Plug-On Neutral Load Centers ship with trims packaged separately.



<sup>①</sup> Applies only to NEMA 1 PN and SN plug-on neutral load centers.  
<sup>②</sup> PN SKUs that have a C suffix have copper bus.

# PN Series 1-Phase Plug-On Neutral Load Centers

1-phase, 3-wire, 120/240 Volts AC Main Breaker/Convertible

## Main Breaker/Convertible Load Centers<sup>①</sup> 100-225 Amperes

Copper Bus (except where noted)<sup>④</sup>  
60/75°C Rated 22,000A IR

Amp Rating	No. of Spaces	No. of Circuits	Indoor Enclosure - NEMA Type 1		Outdoor Enclosure - NEMA Type 3R	
			Catalog Number <sup>⑥</sup>	Enclosure Height (inches) <sup>②</sup>	Catalog Number	Enclosure Height (inches) <sup>③</sup>
100	12	24	PN1224B1100C	18	PNW1224B1100C	21
100	16	32	PN1632B1100C	21	PNW1632B1100C	23
100	20	20	PN2020B1100C	21	PNW2020B1100C	27
100	20	40	PN2040B1100C	21	—	—
100	24	24	PN2424B1100C	24	—	—
100	30	30	PN3030B1100C	26	—	—
100	30	48	—	—	PNW3048B1100C	29
125	30	30	PN3030B1125C	26	—	—
125	30	48	—	—	PNW3048B1125C	29
150	8	16	—	—	PNW0816B1150TC <sup>⑤</sup>	23
150	20	40	PN2040B1150C	24	PNW2040B1150C	27
150	30	30	PN3030B1150C	30	—	—
150	30	48	—	—	PNW3048B1150C	35
200	8	16	—	—	PNW0816B1200TC <sup>⑤</sup>	23
200	20	40	PN2040B1200C	26	PNW2040B1200C	27
200	30	48	PN3048B1200 <sup>③</sup>	30	—	—
200	30	48	PN3048B1200C	30	PNW3048B1200C	35
200	40	40	PN4040B1200 <sup>③</sup>	36	—	—
200	40	40	PN4040B1200C	36	PNW4040B1200C	38
200	40	60	PN4060B1200 <sup>③</sup>	36	—	—
200	40	60	PN4060B1200C	36	—	—
200	54	82	PN5482B1200C	42	—	—
225	42	64	PN4264B1225C	39	PNW4264B1225C	38
225	54	82	PN5482B1225C	43	—	—

\* Convertible Load Centers can be field converted from MB-to-ML or from ML-to-MB

\*\* All Type 1 Load Centers include Flush or Surface mount Combination Cover.

## Load Center Conversion Kits<sup>⑦⑧</sup>

Catalog Number	Description	Pack Qty
MBK100A	MAIN BREAKER KIT 100A 1PH 22K	1
MBK125A	MAIN BREAKER KIT 125A 1PH 22K	1
MBK150A	MAIN BREAKER KIT 150A 1PH 22K	1
MBK200A	MAIN BREAKER KIT 200A 1PH 22K	1
MBK225A	MAIN BREAKER KIT 225A 1PH 22K	1
ECMLK125	1 PH MAIN LUG CONVERSION KIT 100-125A	1
ECMLK225	1 PH MAIN LUG CONVERSION KIT 150-225A	1

Indoor trims available in gray or white.<sup>⑨</sup>



Gray



White

① Factory installed 22KAIC main breaker. Suitable for use as service equipment. May be installed on higher rated systems when protected by a circuit breaker with a higher AIR rating. Main Lug max. is 100KAIC.

② Indoor enclosures are 14 1/4" wide by 3 7/8" deep.

③ Outdoor enclosures are 14 1/2" wide by 4 1/4" deep.

④ Includes all PN series features with aluminum bus.

⑤ Feed-thru lugs.

⑥ Available (made to order) in white by adding "W" to the end of the catalog number.

⑦ QR Main Breaker Kits include a QR filler plate.

⑧ Main Breaker Kits include line terminal barriers.

# PN Series 1-Phase Plug-On Neutral Load Centers

1-phase, 3-wire, 120/240 Volts AC Main Lug/Convertible

## Main Lug/Convertible Load Centers<sup>③</sup> 125-225 Amperes

Copper Bus (except where noted)<sup>④</sup>  
60/75°C Rated 100,000A IR max

Amp Rating	No. of Spaces	No. of Circuits	Indoor Enclosure - NEMA Type 1		Outdoor Enclosure - NEMA Type 3R	
			Catalog Number <sup>⑤</sup>	Enclosure Height (inches) <sup>①</sup>	Catalog Number	Enclosure Height (inches) <sup>②</sup>
125	12	12	PN1212L1125C	18	PNW1212L1125C	21
125	12	24	PN1224L1125C	18	PNW1224L1125C	21
125	16	32	PN1632L1125C	21	PNW1632L1125C	23
125	20	20	PN2020L1125C	21	—	—
125	20	40	PN2040L1125C	21	—	—
125	24	48	PN2448L1125C	24	—	—
125	30	48	PN3048L1125C	26	PNW3048L1125C	29
125	40	40	PN4040L1125C	36	—	—
150	20	40	PN2040L1150C	24	PNW2040L1150C	27
200	8	16	—	—	PNW0816L1200TC <sup>⑥</sup>	23
200	12	24	PN1224L1200C	21	PNW1224L1200C	23
200	20	40	PN2040L1200C	26	PNW2040L1200C	27
200	24	48	PN2448L1200C	30	—	—
200	30	30	PN3030L1200C	30	—	—
200	30	48	PN3048L1200 <sup>④</sup>	30	—	—
200	30	48	PN3048L1200C	30	PNW3048L1200C	35
200	40	40	PN4040L1200 <sup>④</sup>	36	—	—
200	40	40	PN4040L1200C	36	PNW4040L1200C	38
200	40	60	PN4060L1200C	36	—	—
225	12	24	—	—	PNW1224L1225C	27
225	42	64	PN4264L1225C	39	PNW4264L1225C	38
225	54	82	PN5482L1225C	43	—	—

\* Convertible Load Centers can be field converted from MB-to-ML or from ML-to-MB

\*\* All Type 1 Load Centers include Flush or Surface mount Combination Cover.

## Load Center Conversion Kits<sup>⑦⑧</sup>

Catalog Number	Description	Pack Qty
MBK100A	MAIN BREAKER KIT 100A 1PH 22K	1
MBK125A	MAIN BREAKER KIT 125A 1PH 22K	1
MBK150A	MAIN BREAKER KIT 150A 1PH 22K	1
MBK200A	MAIN BREAKER KIT 200A 1PH 22K	1
MBK225A	MAIN BREAKER KIT 225A 1PH 22K	1
ECMLK125	1 PH MAIN LUG CONVERSION KIT 100-125A	1
ECMLK225	1 PH MAIN LUG CONVERSION KIT 150-225A	1

① Indoor enclosures are 14 1/4" wide by 3 7/8" deep.

② Outdoor enclosures are 14 1/2" wide by 4 1/4" deep.

③ 125A load centers will accept MBK100A and MBK125A. 150A load centers will accept MBK150A. 200A load

centers will accept MBK200A and MBK150A. 225A load centers will accept MBK225A, MBK200A, MBK150A.

④ Includes all PN series features with aluminum bus.

⑤ Feed-thru lugs.

⑥ Available (made to order) in white by adding "W" to the end of the catalog number.

⑦ QR Main Breaker Kits include a QR filler plate.

⑧ Main Breaker Kits include line terminal barriers.

# SN Series 1-Phase Plug-On Neutral Load Centers

## Features

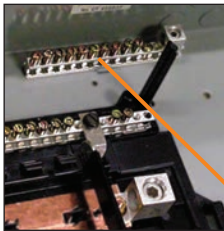
LOAD CENTERS & CIRCUIT BREAKERS

- Invertible<sup>①</sup>
  - Bonding Screw
  - Visible Neutrals
  - Insta-Wire
  - Durable Hook-Rails
  - Integrated Neutral Bus
  - Extended 10-Year Warranty
- 75% Neutral & 50% Ground positions based on number of circuits
  - Can use twin AFCI breakers in all PN & SN Series load centers
  - Easy to install neutral kits. Click here for the [PN & SN Accessory and Replacement Parts Guide](#).
  - Click here for [Siemens Warranty Information](#).

All devices come with an integrated neutral bus

Invertible for bottom feed application.<sup>①</sup>

SN Series Plug-On Neutral Load Centers come with one factory installed ground bar



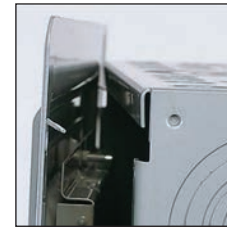
Combination head screw on the neutrals, ground, trim, upper pan, and bond screw provide installation flexibility.



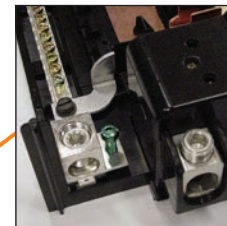
A rigid, sturdy base pan provides the ruggedness required for the most harsh applications.



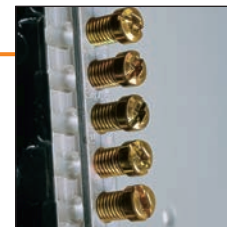
Aluminum Bus



Mounting tabs on the trim hold it in place on the load center, freeing up both hands to drive the trim screws.



The pre-positioned bond screw eliminates bond strap/screw assemblies, and reduces the risk of losing components in the field.



The patented INSTA-WIRE™ neutral/ground system allows for faster installation because screws are backed out, ready for wire insertion. The visible neutral and grounds system aids in the insertion of conductors.

The outdoor enclosure has a slide hinge door for the easiest installation and can be removed by backing out only one screw.

<sup>①</sup> Applies only to NEMA 1 PN and SN plug-on neutral load centers

\* SN Series is NOT convertible - See PN series if ML-to-MB or MB-to-ML convertibility is needed.

\*\*All Type 1 SN Series Load Centers include Flush or Surface mount Combination Cover.

# SN Series 1-Phase Plug-On Neutral Load Centers

1-phase, 3-wire, 120/240 Volts AC Main Breaker

Aluminum Bus  
60/75°C Rated 22,000A IR

## Main Breaker Load Centers<sup>①</sup> 100-225 Amperes

Amp Rating	No. of Spaces	No. of Circuits	Indoor Enclosure - NEMA Type 1		Outdoor Enclosure - NEMA Type 3R	
			Catalog Number <sup>⑤</sup>	Enclosure Height (inches) <sup>②</sup>	Catalog Number	Enclosure Height (inches) <sup>③</sup>
100	12	24	SN1224B1100	18	SNW1224B1100	21
100	16	32	SN1632B1100	21	SNW1632B1100	23
100	20	20	SN2020B1100	21	SNW2020B1100	27
100	20	40	SN2040B1100	21	—	—
100	24	48	SN2448B1100	24	—	—
100	30	30	SN3030B1100	26	—	—
100	30	48	SN3048B1100	26	—	—
125	12	24	—	—	SNW1224B1125	21
125	16	32	SN1632B1125	21	—	—
125	20	40	—	—	SNW2040B1125	27
125	24	24	SN2424B1125	24	SNW2424B1125	27
125	30	30	SN3030B1125	26	—	—
125	30	48	SN3048B1125	26	SNW3048B1125	29
150	16	32	SN1632B1150	24	—	—
150	20	40	SN2040B1150	24	SNW2040B1150	27
150	24	48	SN2448B1150	26	—	—
150	30	30	SN3030B1150	30	—	—
150	30	48	SN3048B1150	30	SNW3048B1150	35
200	40	40	—	—	SNW4040B1150	38
200	8	16	—	—	SNW0816B1200T <sup>④</sup>	23
200	12	24	—	—	SNW1224B1200	23
200	16	32	SN1632B1200	24	—	—
200	20	40	SN2040B1200	26	SNW2040B1200	27
200	24	48	SN2448B1200	30	—	—
200	30	48	SN3048B1200	30	SNW3048B1200	35
200	40	40	SN4040B1200	36	SNW4040B1200	38
200	40	60	SN4060B1200	36	—	—
200	42	64	SN4264B1200	39	SNW4264B1200	38
200	54	82	SN5482B1200	42	—	—
225	42	64	SN4264B1225	39	SNW4264B1225	38
225	54	82	SN5482B1225	43	—	—

See Page 1-12 for SN Series with selectable Mains

Indoor trims available in gray or white.<sup>⑥</sup>



Gray

White

① Factory installed 22KAIC main breaker. Suitable for use as service equipment. May be installed on higher rated systems when protected by a circuit breaker with a higher AIR rating. Main Lug max. is 100KAIC.  
② Indoor enclosures are 14 1/4" wide by 3 7/8" deep.

③ Outdoor enclosures are 14 1/2" wide by 4 1/4" deep.  
④ Feed-thru lugs.  
⑤ Available (made to order) in white by adding "W" to the end of the catalog number.

# SN Series 1-Phase Plug-On Neutral Load Centers

1-phase, 3-wire, 120/240 Volts AC Main Lug

## Main Lug Load Centers 100-225 Amperes

Aluminum Bus  
60/75°C Rated 100,000A IR max

Amp Rating	No. of Spaces	No. of Circuits	Indoor Enclosure - NEMA Type 1		Outdoor Enclosure - NEMA Type 3R	
			Catalog Number <sup>④</sup>	Enclosure Height (inches) <sup>①</sup>	Catalog Number	Enclosure Height (inches) <sup>②</sup>
125	12	12	SN1212L1125	18	SNW1212L1125	21
125	12	24	SN1224L1125	18	SNW1224L1125	21
125	16	32	SN1632L1125	21	SNW1632L1125	21
125	20	20	SN2020L1125	21	—	—
125	20	40	SN2040L1125	21	SNW2040L1125	23
125	24	24	SN2424L1125	24	SNW2424L1125	27
125	24	48	SN2448L1125	24	—	—
125	30	48	SN3048L1125	26	SNW3048L1125	29
125	40	40	SN4040L1125	30	—	—
150	16	32	SN1632L1150	21	—	—
150	20	40	SN2040L1150	24	SNW2040L1150	27
150	24	48	SN2448L1150	26	—	—
200	8	16	—	—	SNW0816L1200T <sup>③</sup>	23
200	12	24	SN1224L1200	21	SNW1224L1200	21
200	20	40	SN2040L1200	26	SNW2040L1200	27
200	24	48	SN2448L1200	26	—	—
200	30	30	SN3030L1200	30	—	—
200	30	48	SN3048L1200	30	SNW3048L1200	29
200	40	40	SN4040L1200	36	SNW4040L1200	35
225	12	24	—	—	SNW1224L1225	21
225	40	60	SN4060L1225	36	—	—
225	42	64	SN4264L1225	36	SNW4264L1225	38
225	54	82	SN5482L1225	42	—	—

See Page 1-12 for SN Series with selectable Mains

## Bundles: Main Lug Load Centers with Surge<sup>⑤</sup>

Amp Rating	No. of Spaces	No. of Circuits	Indoor Enclosure - NEMA Type 1		Surge Protection
			Catalog Number	Enclosure Height (inches)	
125	20	20	SN2020L1125P4	21	35kA
200	30	48	SN3048L1200P4	30	35kA
200	40	40	SN4040L1200P4	36	35kA



Bundle

① Indoor enclosures are 14 1/4" wide by 3 7/8" deep.  
② Outdoor enclosures are 14 1/2" wide by 4 1/4" deep.

③ Feed-thru lugs.  
④ Available (made to order) in white by adding "W" to the end of the catalog number.

⑤ Includes QSPD2A035B (uninstalled).

# SN Series 1-Phase Un-assembled Plug-On Neutral Load Centers

1-phase, 3-wire, 120/240 Volts AC Main Lug

## SN Series Un-assembled Load Center

- Available for the most popular SN Series Load Centers
- Available in pallet quantities only.
- Enclosures will have minimal packaging for less hassle and waste at the job site.
- Keeps the covers separate to prevent damage or theft.
- Includes full size cardboard covers to keep the interior safe during painting.
- Invertible for bottom feed application.
- NEMA Type 1 enclosures.



Enclosure and Interior



Trim

### Enclosure and Interior for Un-assembled Load Centers

Amp Rating	Catalog Number	Main	No. of Spaces	No. of Circuits	Height Box (inches)	Width Box (inches)	Depth Box (inches)	Pallet Quantity
125	SNB2040L1125	Main Lug	20	40	21	14.25	3.875	36
125	SNB2448L1125	Main Lug	24	48	24	14.25	3.875	36
125	SNB3048L1125	Main Lug	30	48	26	14.25	3.875	36
200	SNB3048L1200	Main Lug	30	48	30	14.25	3.875	36
200	SNB4040B1200	Main Breaker	40	40	36	14.25	3.875	30

Note: Un-assembled means enclosure and trim are separate. Enclosure and interior refers to box with interior and ground bar installed.

### Trim for Un-assembled Load Centers

White Trim Catalog Number	Grey Trim Catalog Number	Height Trim (inches)	Width Trim (inches)	Depth Trim (inches)	Pallet Quantity
SNT2040L1125W	SNT2040L1125	22.13	15.50	0.58	36
SNT2448L1125W	SNT2448L1125	25.13	15.50	0.58	36
SNT3048L1125W	SNT3048L1125	27.13	15.50	0.58	36
SNT3048L1200W	SNT3048L1200	31.13	15.50	0.58	36
SNT4040B1200W	SNT4040B1200	37.13	15.50	0.58	30

# Specialty Main Lug and Main Breaker Plug-On Neutral Load Centers

1-phase, 3-wire, 120/240 Volts AC



## Seamless Series Load Center:

- Sleek and elegant design to keep your living environment pleasing to the eye
- With a flat surface cover, the hardware, hinges, and trim screws are concealed
- Flat white trim cover (Flat trims are not interchangeable with other load centers)
- Copper bus with 100% neutral and ground positions

## Seamless Main Lug Load Center<sup>①</sup> 125-225 Amperes

Copper Bus  
60/75°C Rated 65,000A IR max

Amp Rating	No. of Spaces	No. of Circuits	Indoor Enclosure – NEMA Type 1						
			Catalog Number	Enclosure Height (inches)	Enclosure Width (inches)	Enclosure Depth (inches)	Trim Height (inches)	Trim Width (inches)	Trim Depth installed (inches)
125	24	48	SN2448L1125CFW	24.12	14.36	3.94	25.26	15.5	0.07
125	30	48	SN3048L1125CFW	26.11	14.36	3.94	27.26	15.5	0.07
225	42	64	SN4264L1225CFW	36.11	14.36	3.94	37.14	15.5	0.07
225	54	82	SN5482L1225CFW	42.11	14.36	3.94	43.26	15.5	0.07

See page 1-19 for selection of riser load centers with seamless flat white trim.

## 500 Kcmil max., Main Lug Load Center<sup>②</sup>

Amp Rating	No. of Spaces	No. of Circuits	Indoor Enclosure – NEMA Type 1		AL body Main Lug Range
			Catalog Number	Enclosure Height <sup>②</sup> (inches)	
200	30	48	SN3048L1200L50	36	#2-500kcmil AL/CU cable
200	30	48	SN3048L1200L5W (white)	36	

## Selectable Main Load Centers (Allows ML or MB up to max. Amp Rating to be field installed)<sup>④⑥</sup>

Amp Rating	No. of Spaces	No. of Circuits	Indoor Enclosure – NEMA Type 1		Outdoor Enclosure – NEMA Type 3R	
			Catalog Number	Enclosure Height <sup>②</sup> (inches)	Catalog Number	Enclosure Height <sup>③</sup> (inches)
125	24	24	SN2424C1125	24	SNW2424C1125	27
200	20	40	SN2040C1200	26	SNW2040C1200	27
200	30	48	SN3048C1200	30	SNW3048C1200	35
200	40	40	SN4040C1200	36	SNW4040C1200	38

## Load Center Conversion Kits<sup>⑦⑧</sup>

Catalog Number	Description	Pack Qty
MBK100A	MAIN BREAKER KIT 100A 1PH 22K	1
MBK125A	MAIN BREAKER KIT 125A 1PH 22K	1
MBK150A	MAIN BREAKER KIT 150A 1PH 22K	1
MBK200A	MAIN BREAKER KIT 200A 1PH 22K	1
ECMLK125	1 PH MAIN LUG CONVERSION KIT 100-125A	1
ECMLK225	1 PH MAIN LUG CONVERSION KIT 150-225A	1

① Seamless series has Copper bus.

② Indoor enclosures are 14 1/4" wide by 3 7/8" deep.

③ Outdoor enclosures are 14 1/2" wide by 4 1/4" deep.

④ Selectable main load centers do not come with main lugs or main breakers. Those kits are sold separately.

⑤ PN has Copper bus

⑥ SN has Aluminum bus

⑦ QR Main Breaker Kits include a QR filler plate.

⑧ Main Breaker Kits include line terminal barriers.

# PL and ES Series 3-Phase Load Centers

## Features

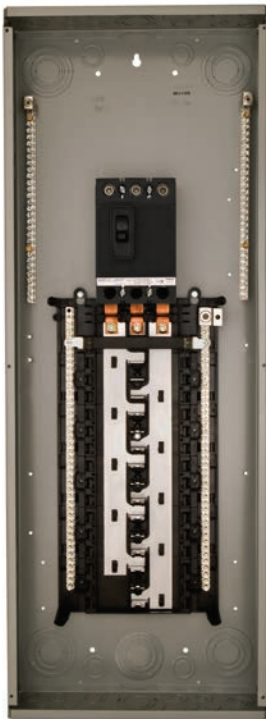
### PL Series:

- Convertible
- Invertible<sup>①</sup>
- Flush or Surface Mount Combination Cover
- Insta-wire neutrals & grounds
- Ground bars included
- Copper busbars
- Dual neutrals on all configurations
- Carton-in-carton packaging
- Lifetime warranty

### ES Series:

- Invertible<sup>①</sup>
- Flush or Surface Mount Combination Cover
- Insta-wire neutrals & grounds
- Aluminum busbars
- Single sided neutral on 24 circuits and below
- Single piece carton packaging
- 10 year warranty

NOTE: Ground Bars are not included. Order separately as needed - see page 1-23.



**PL Series 3-phase**



**ES Series 3-phase**

<sup>①</sup> Applies only to NEMA Type 1 enclosures.

# PL Series 3-Phase Main Lug & Main Breaker Load Centers

3-phase, 3-wire, 240 Volt AC or 3-phase, 4-wire, 120/240 or 120/208 Volts AC

## Main Breaker/Convertible Load Centers 30-70 Circuits / 100-225 Amperes

Copper Bus<sup>⑦</sup>  
60/75°C Rated 22,000A IR<sup>①</sup>

Branch Circuits			Indoor Enclosure – NEMA Type 1		Outdoor Enclosure – NEMA Type 3R	
Amp Rating	No. of Spaces	No. of Circuits	Catalog Number	Enclosure Height (inches) <sup>③</sup>	Catalog Number	Enclosure Height (inches) <sup>④</sup>
100	12	24	P1224B3100CU <sup>②</sup>	24	—	—
100	30	42	P3042B3100CU <sup>②</sup>	30	—	—
125	30	30	P3030B3125CU	39	—	—
150	24	42	P2442B3150CU	36	—	—
150	42	42	P4242B3150CU	42	—	—
200	30	54	P3054B3200CU	39	PW3054B3200CU	38
200	42	60	P4260B3200CU <sup>⑤</sup>	42	PW4260B3200CU	42
225	42	60	P4260B3225CU	42	—	—
225	42	60	P4260B3225TCU <sup>⑤</sup>	49	—	—
225	54	70	P5470B3225CU	49	—	—

## Main Lug/Convertible Load Centers 12-70 Circuits / 125-225 Amperes

Copper Bus<sup>⑦</sup>  
60/75°C Rated 100,000A IR<sup>⑧</sup>

Branch Circuits			Indoor Enclosure – NEMA Type 1		Outdoor Enclosure – NEMA Type 3R	
Amp Rating	No. of Spaces	No. of Circuits	Catalog Number	Enclosure Height (inches) <sup>③</sup>	Catalog Number	Enclosure Height (inches) <sup>④</sup>
125	12	24	P1224L3125CU <sup>⑥</sup>	21	PW1224L3125CU <sup>⑥</sup>	21
200	24	42	P2442L3200CU	36	PW2442L3200CU	35
200	30	54	P3054L3200CU	39	PW3054L3200CU	38
225	42	60	P4260L3225CU	42	PW4260L3225CU	42
225	54	70	P5470L3225CU	49	—	—

## Load Center Conversion Kits<sup>⑩⑪</sup>

Catalog Number	Description	Pack Qty
MBK3100	MAIN BREAKER KIT 100A 3PH QP 240V 10K	1
MBK3125R	MAIN BREAKER KIT 125A 3PH 240V 10K, QR	1
MBK3150R	MAIN BREAKER KIT 150A 3PH 240V 10K, QR	1
MBK3175R	MAIN BREAKER KIT 175A 3PH 240V 10K, QR	1
MBK3200R	MAIN BREAKER KIT 200A 3PH 240V 10K, QR	1
MBK3225R	MAIN BREAKER KIT 225A 3PH 240V 10K, QR	1
MBK3125HR	MAIN BREAKER KIT 125A 3PH 240V 22K, QR	1
MBK3150HR	MAIN BREAKER KIT 150A 3PH 240V 22K, QR	1
MBK3175HR	MAIN BREAKER KIT 175A 3PH 240V 22K, QR	1
MBK3200HR	MAIN BREAKER KIT 200A 3PH 240V 22K, QR	1
MBK3225HR	MAIN BREAKER KIT 225A 3PH 240V 22K, QR	1
MBK3125HHR	MAIN BREAKER KIT 125A 3PH 240V 65K, QR	1
MBK3150HHR	MAIN BREAKER KIT 150A 3PH 240V 65K, QR	1
MBK3175HHR	MAIN BREAKER KIT 175A 3PH 240V 65K, QR	1
MBK3200HHR	MAIN BREAKER KIT 200A 3PH 240V 65K, QR	1
MBK3225HHR	MAIN BREAKER KIT 225A 3PH 240V 65K, QR	1
HMBK3125HR	MAIN BREAKER KIT 125A 3PH 240V 100K, QR	1
HMBK3150HR	MAIN BREAKER KIT 150A 3PH 240V 100K, QR	1
HMBK3175HR	MAIN BREAKER KIT 175A 3PH 240V 100K, QR	1
HMBK3200HR	MAIN BREAKER KIT 200A 3PH 240V 100K, QR	1
HMBK3225HR	MAIN BREAKER KIT 225A 3PH 240V 100K, QR	1
ECMLK3125	3 PH MAIN LUG CONVERSION KIT 100-125A	1
ECMLK3225	3 PH MAIN LUG CONVERSION KIT 150-225A	1

- ① May be installed on higher rated systems when protected by a circuit breaker with a higher AIR rating.  
 ② Back fed main breaker.  
 ③ Indoor enclosures are 14 1/4" wide by 3 7/8" deep.  
 ④ Outdoor enclosures are 14 1/2" wide by 4 1/4" deep.

- ⑤ Includes factory installed feed through lugs and is also non-convertible.  
 ⑥ Non-convertible to main breaker.  
 ⑦ All load centers are provided with tin plated copper bus bars.  
 ⑧ Rated 100,000A IR in series with breakers listed on wiring diagram.

- ⑨ Available (made to order) in white by adding "W" to the end of the part number.  
 ⑩ QR Main Breaker Kits include a QR filler plate.  
 ⑪ Main Breaker Kits include line terminal barriers.

# PL Series 3-Phase Unassembled Load Centers

3-phase, 3-wire, 240 Volt AC or 3-phase, 4-wire, 120/240 or 120/208 Volts AC



## Main Breaker Convertible Unassembled Load Centers 24-70 Circuits / 100-225 Amperes

Copper Bus<sup>⑤</sup>  
60/75°C Rated 22,000A IR<sup>①</sup>

Interiors				Enclosure		Trim Kit	
Amp Rating	No. of Spaces	No. of Circuits	Interior Catalog Number	Enclosure Height (inches) <sup>③</sup>	Enclosure Catalog Number	No. Breaker Spaces	Trim Catalog Number <sup>④</sup>
100	30	42	PI3042B3100CU <sup>②</sup>	30	3PE30	30	PT3042B3100
150	24	42	PI2442B3150CU	36	3PE36	24	PT2442X3150
200	30	54	PI3054B3200CU	39	3PE39	30	PT3054X3200
200	42	60	PI4260B3200CU	42	3PE42	42	PT4260X3200
225	54	70	PI5470B3225CU	49	3PE49	54	PT5470X3225

## Main Lug Convertible Unassembled Load Centers 12-70 Circuits / 125-225 Amperes

Copper Bus<sup>⑤</sup>  
60/75°C Rated 100,000A IR<sup>⑥</sup>

Interiors				Enclosure		Trim Kit	
Amp Rating	No. of Spaces	No. of Circuits	Interior Catalog Number	Enclosure Height (inches) <sup>③</sup>	Enclosure Catalog Number	No. Breaker Spaces	Trim Catalog Number <sup>④</sup>
125	12	24	PI1224L3125CU	21	3PE21	12	PT1224L3125
200	24	42	PI2442L3200CU	36	3PE36	24	PT2442X3200
200	30	54	PI3054L3200CU	39	3PE39	30	PT3054X3200
225	42	60	PI4260L3225CU	42	3PE42	42	PT4260X3225
225	54	70	PI5470L3225CU	49	3PE49	54	PT5470X3225

\* See page 1-14 for ML and MB kits.

\*\* All Trim Kits include Flush or Surface Mount Combination Cover

① May be installed on higher rated systems when protected by a circuit breaker with a higher AIR rating.  
② Back fed main breaker.  
③ Indoor enclosures are 14 1/4" wide by 3 7/8" deep.

④ Trim catalog numbers with a "B" indicate for use with main breaker and is not convertible. "L" indicates for use with main lug and is not convertible. "X" indicates can be used with convertible interior.

⑤ All load center interiors are provided with tin plated copper bus bars.  
⑥ Rated 100,000A IR in series with breakers listed on wiring diagram.

# ES Series 3-Phase Main Lug & Main Breaker Load Centers

3-Phase, 3-Wire, 240 Volt AC or 3-Phase, 4-Wire, 120/240 or 120/208 Volts AC

## Main Breaker

30-60 Circuits / 100-225 Amperes

Aluminum Bus

60/75°C Rated 10,000A IR<sup>①</sup>

Branch Circuits			Indoor Enclosure – NEMA Type 1		Outdoor Enclosure – NEMA Type 3R	
Amp Rating	No. of Spaces	No. of Circuits	Catalog Number	Enclosure Height (inches) <sup>③</sup>	Catalog Number	Enclosure Height (inches) <sup>④</sup>
100	12	24	S1224B3100 <sup>②</sup>	24	SW1224B3100 <sup>②</sup>	23
100	30	30	S3030B3100 <sup>②</sup>	30	—	—
100	30	42	S3042B3100 <sup>②</sup>	30	—	—
125	30	42	S3042B3125	39	—	—
150	24	42	S2442B3150	36	SW2442B3150	35
150	42	42	S4242B3150	42	—	—
150	30	54	S3054B3150	35	—	—
200	30	54	S3054B3200	39	SW3054B3200	38
200	42	60	S4260B3200	42	SW4260B3200	42
225	42	42	S4242B3225	42	SW4242B3225	42

\*Convertible to Main Lug unless noted.

## Main Lug

12-70 Circuits / 125-225 Amperes

Aluminum Bus

60/75° Rated 100,000A IR<sup>⑤</sup>

Branch Circuits			Indoor Enclosure – NEMA Type 1		Outdoor Enclosure – NEMA Type 3R	
Amp Rating	No. of Spaces	No. of Circuits	Catalog Number	Enclosure Height (inches) <sup>③</sup>	Catalog Number	Enclosure Height (inches) <sup>④</sup>
125	12	24	S1224L3125 <sup>⑥</sup>	21	SW1224L3125	21
150	18	36	S1836L3150	24	SW1836L3150	23
150	24	42	S2442L3150	30	SW2442L3150	27
200	12	24	S1224L3200	21	SW1224L3200	21
200	24	42	S2442L3200	30	SW2442L3200	27
200	30	54	S3054L3200 <sup>⑥</sup>	30	SW3054L3200	35
225	42	60	S4260L3225 <sup>⑥</sup>	36	SW4260L3225	38
225	54	70	S5470L3225 <sup>⑥</sup>	42	—	—

\*\*ES Series Main Lug is NOT convertible - See PL series if ML-to-MB or MB-to-ML convertibility is needed.

① May be installed on higher rated systems when protected by a circuit breaker with a higher AIR rating.  
 ② Back fed main breaker. Not convertible to Main Lug.

③ Indoor enclosures are 14 1/4" wide by 3 7/8" deep.  
 ④ Outdoor enclosures are 14 1/2" wide by 4 1/4" deep.  
 ⑤ Rated 100,000A IR in series with breakers listed on wiring diagram.

⑥ Available (made to order) in white by adding "W" to the end of the part number.

EQ<sup>®</sup> Load Centers—300-400 Amp

1-Phase, 3-Wire/3-Phase, 3-Wire, 4-Wire

E3030MB1400SCU



## Features

- UL listed for 60/75°C conductors. See equipment markings for applications.
- Copper bus standard.
- Factory installed lock on indoor enclosures.
- Main breaker units have a factory installed JXD2 type breaker.

Main Breaker 300-400 Ampere<sup>②</sup>  
1Ø, 3-Wire120/240 Volts AC  
65,000A IR

Branch Circuits			Indoor Enclosure – NEMA Type 1			Outdoor Enclosure – NEMA Type 3R	
Amp Rating	No. of Spaces	No. of Circuits	Catalog Number	Enclosure Height <sup>①</sup>	Trim Style	Catalog Number	Enclosure Height <sup>①</sup>
300	42	42	E4242MB1300FCU	58	Flush	—	—
	42	42	E4242MB1300SCU	58	Surface	—	—
400	30	30	E3030MB1400SCU	52	Surface	W3030MB1400CU	52
	42	42	E4242MB1400FCU	58	Flush	—	—
	42	42	E4242MB1400SCU	58	Surface	W4242MB1400CU	58

240 Volts AC  
65,000A IR

## 3Ø, 3-Wire, 4-Wire

Branch Circuits			Indoor Enclosure – NEMA Type 1			Outdoor Enclosure – NEMA Type 3R	
Amp Rating	No. of Spaces	No. of Circuits	Catalog Number	Enclosure Height <sup>①</sup>	Trim Style	Catalog Number	Enclosure Height <sup>①</sup>
300	42	42	E4242MB3300SCU	58	Surface	—	—
400	30	30	E3030MB3400SCU	52	Surface	—	—
	42	42	E4242MB3400FCU	58	Flush	—	—
	42	42	E4242MB3400SCU	58	Surface	W4242MB3400CU	58

Main Lug 400 Ampere  
1Ø, 3-Wire120/240 Volts AC  
65,000A IR

Branch Circuits			Indoor Enclosure – NEMA Type 1			Outdoor Enclosure – NEMA Type 3R	
Amp Rating	No. of Spaces	No. of Circuits	Catalog Number	Enclosure Height <sup>①</sup>	Trim Style	Catalog Number	Enclosure Height <sup>①</sup>
400	12	6	—	—	—	W0606ML1400CU <sup>③④</sup>	43
	30	30	E3030ML1400SCU	41	Surface	W3030ML1400CU	43
	42	42	E4242ML1400FCU	47	Flush	—	—
	42	42	E4242ML1400SCU	47	Surface	W4242ML1400CU	47

240 Volts AC  
22,000A IR

## 3Ø, 3-Wire, 4-Wire

Branch Circuits			Indoor Enclosure - NEMA Type 1			Outdoor Enclosure - NEMA Type 3R	
Amp Rating	No. of Spaces	No. of Circuits	Catalog Number	Enclosure Height <sup>①</sup>	Trim Style	Catalog Number	Enclosure Height <sup>①</sup>
400	30	30	E3030ML3400SCU	41	Surface	—	—
	42	42	E4242ML3400FCU	47	Flush	—	—
	42	42	E4242ML3400SCU	47	Surface	W4242ML3400CU	47

<sup>①</sup> Indoor and outdoor enclosures are 20" wide by 6" deep.  
<sup>②</sup> UL listed as suitable for use as service equipment.

<sup>③</sup> Accepts up to six QN style breakers  
<sup>④</sup> 22,000A IR

# Generator Ready Load Centers

1-Phase, 3-Wire SN, 120/240 Volts AC

## Generator Ready Load Centers

The Siemens generator ready load center can save thousands of dollars in future generator installation expenses while keeping initial expenses to a minimum. Works with an automatic standby generator or a portable generator.

### Load center features:

- UL Listed
- Indoor Type 1 and outdoor Type 3R
- 225A max rated
- Flush or surface mounting
- Fits between standard stud centers
- Tin plated copper bus bars
- 22 kAIC rated
- 120/240V ~
- Main lug – convertible to main breaker with addition of MBK150A, MBK200A, or MBK225A
- Installation of manual transfer mechanism ECSBPK01 can be performed at time of generator installation



NEMA 1



NEMA 3R

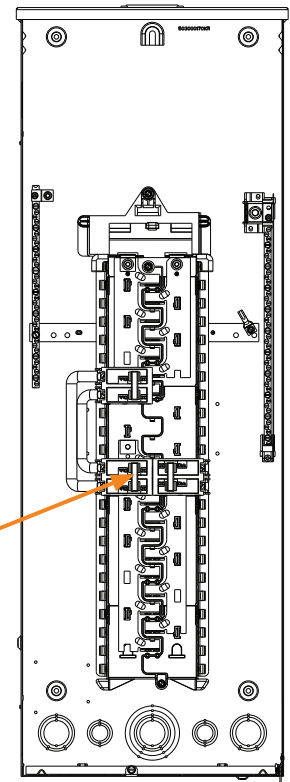
### Indoor Enclosure – NEMA Type 1

Amp Rating	No. of Spaces <sup>①</sup>	No. of Circuits <sup>①</sup>	Catalog Number	Main	Enclosure Height <sup>②</sup>
200	30	42	G3042B1200GEN	Main Breaker	42
225	30	42	G3042L1225GEN	Main Lug	42
200	42	54	G4254B1200GEN	Main Breaker	44
225	42	54	G4254L1225GEN	Main Lug	44

### Outdoor Enclosure – NEMA Type 3R

Amp Rating	No. of Spaces <sup>①</sup>	No. of Circuits <sup>①</sup>	Catalog Number	Main	Enclosure Height <sup>③</sup>
200	30	42	W3042B1200GEN	Main Breaker	42
225	30	42	W3042L1225GEN	Main Lug	42

Main lug unit as shipped, mechanical interlock (ECSBPK01) installed in the field (portable generators)<sup>④</sup>



ECSBPK01 Mechanical Interlock Kit<sup>④</sup>

① 2 spaces and 2 circuits are reserved for standby generator installation.  
 ② Indoor enclosures are 14 1/4" wide by 3 7/8" deep.

③ Outdoor enclosures are 14 1/2" wide by 4 1/4" deep.  
 ④ Breaker for generator connection sold separately.

# Riser Panel Load Centers

1-Phase, 3-Wire SN, 120/240 Volts AC

## Riser Panel Load Centers<sup>①</sup>

Riser panel load centers are ideal for high rise applications. The shifted interior provides room for conductors to pass through the load center. The tap kits allow the installer to tap off from those conductors to power the panel.

### Features

- UL Listed for use in 1Ø and 3Ø riser gutter applications.
- Copper bus standard.
- Main lug factory standard - convertible to main breaker.
- Neutrals aligned on left side- keeps way clear for riser cables.
- Available in 125 and 200 amp models.
- Invertible for left and right hand applications.

## Riser Gutter Tap Kit<sup>②</sup>

The riser gutter tap kit (ECRLK250) allows the installer to tap off the main conductors, eliminating the need to cut completely through the conductor. The tap kit accepts 250 -1/0 AL/CU on the main conductor side and 250-#6 AL/CU on the tap side.

## Riser Gutter

The riser gutter (RAG24) is used to convert any load center 24" or larger into a riser panel.

### Features

- Single and 3-phase applications
- Compatible with any single or 3-phase Siemens load center 24" or higher
- Flush trim included
- Load center mounting hardware and pass through brush included (Catalog no. RAG24)



R1632L1125CU



ECRLK250



Any Load Center  
24" or larger



RAG24

## 1-phase, 3-wire SN, 120/240 Volts AC

Amp Rating	No. of Spaces	No. of Circuits	Catalog Number				Dimensions (inches)			Acceptable Main Breaker Kits
			Aluminum Bus Grey Trim	Aluminum Bus White Trim	Copper Bus Grey Trim	Copper Bus White Trim	Height	Width	Depth	
125	16	32	R1632L1125	R1632L1125W	R1632L1125CU	—	24	14.25	3.88	MBK100A, MBK125A
125	24	24	R2424L1125	R2424L1125W	R2424L1125CU	—	30	14.25	3.88	MBK100A, MBK125A
125	24	42	R2442L1125	R2442L1125W	R2442L1125CU	R2442L1125CUW	30	14.25	3.88	MBK100A, MBK125A
200	30	42	R3042L1200	R3042L1200W	R3042L1200CU	R3042L1200CUW	36	14.25	3.88	MBK150A, MBK200A
125	24	42	—	—	—	R2442L1125CFW <sup>③</sup>	30	14.25	3.88	—
200	30	42	—	—	—	R3042L1200CFW <sup>③</sup>	36	14.25	3.88	—

<sup>①</sup> The riser panels are single phase only, but can be fed from 1-phase or 3-phase systems running through the gutter trough area.

<sup>②</sup> ECRLK250 is sold separately.  
<sup>③</sup> This version has flat white trim.

# EQ® Load Centers, Small Circuit and Circuit Breaker Enclosures

1-Phase, 3-Wire SN, 120/240 Volts AC

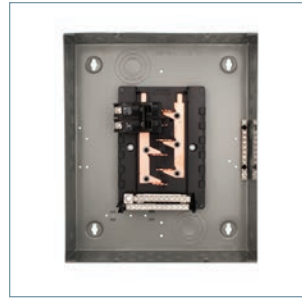
## Features/Applications

- Indoor and Outdoor Applications
- UL Listed
- 2 to 12 Space Options
- SPA panels offer a 50A or 60A factory installed GFCI breaker
- Service Entrance or Subfeed Applications



### Small Circuit Load Centers

Ideal for subfeed applications



### Renovation Panel

Ideal for older home renovation projects where the distance between the studs is narrower than current construction practices. The narrower panel eliminates the need to 'notch' out the existing studs.



### Spa Panels

Spa Panels are ideal for outdoor applications requiring the use of ground fault protection, such as hot tubs. A factory installed 2-Pole GFCI breaker is provided, along with 2 extra circuits.

Amp Rating	No. of Spaces	No. of Circuits	Indoor Enclosure - NEMA Type 1					Phase Lug Wire Size	Ground Bar	Dimensions (inches)		
			Catalog Number	Max Short Circuit Rating	Bus Material	Mounting	H			W	D	
100	10	20	E1020MB1100FCGP <sup>1②③</sup>	22,000	Copper	Flush	CU or AL #4 - 2/0 AWG	ECGB10 Installed	14.6	12.3	3.7	
	12	24	E1224ML1100FG <sup>④⑤</sup>	100,000	Aluminum	Flush			14.6	12.3	3.7	
			E1224ML1100FCU <sup>④⑤</sup>	100,000	Copper	Flush			14.6	12.3	3.7	
125	4	8	E0408ML1125F <sup>⑥⑦⑧⑨⑩</sup>	100,000	Aluminum	Flush <sup>®</sup>		CU or AL #4 - 2/0 AWG	Use ECGB kits	12.8	6.5	3.3
			E0408ML1125S <sup>⑥⑦⑧⑨⑩</sup>	100,000	Aluminum	Surface <sup>®</sup>				12.8	6.5	3.3
	8	16	E0816ML1125F <sup>⑦⑧</sup>	100,000	Aluminum	Flush				14.6	12.3	3.7
			E0816ML1125S <sup>⑦⑧</sup>	100,000	Aluminum	Surface				14.6	12.3	3.7
			E0816ML1125FGB <sup>⑦</sup>	100,000	Aluminum	Flush			14.6	12.3	3.7	
			E0816ML1125FGP <sup>⑦⑧</sup>	100,000	Aluminum	Flush			14.6	12.3	3.7	
			E0816ML1125SGP <sup>⑦⑧</sup>	100,000	Aluminum	Surface			14.6	12.3	3.7	
			E0816ML1125FCU <sup>⑦</sup>	100,000	Copper	Flush			14.6	12.3	3.7	
	E0816ML1125SCU <sup>⑦</sup>	100,000	Copper	Surface	14.6	12.3			3.7			

Amp Rating	No. of Spaces	No. of Circuits	Outdoor Enclosure - NEMA Type 3R					Phase Lug Wire Size	Ground Bar	Dimensions (inches)			
			Catalog Number	Max Short Circuit Rating	Bus Material	Hub Provision	H			W	D		
60	2	4	W0204L1060G20 <sup>⑦⑧⑤</sup>	100,000	Aluminum	HA Cover Plate	CU or AL #14 - #2 AWG	ECGB5 Installed	8.1	5.5	3.6		
			W0204L1060G25 <sup>⑦⑧⑤</sup>	100,000	Aluminum				8.1	5.5	3.6		
			W0204L1060G30 <sup>⑦⑧⑤</sup>	100,000	Aluminum				8.1	5.5	3.6		
100	2	4	W0204MB1100 <sup>⑧⑦</sup>	100,000	Aluminum	1.25" HS Hub		CU or AL #4 - 2/0 AWG	Use ECGB kits	12.1	6.2	4.4	
125	4	8	W0408ML1125 <sup>⑥⑦⑧⑨⑩</sup>	100,000	Aluminum	HS Cover Plate				CU or AL #4 - 2/0 AWG	ECGB5 Installed	12.1	6.2
			W0408ML1125G <sup>⑥⑦⑧⑨⑩</sup>	100,000	Aluminum				12.1			6.2	4.4
			W0408L1125SPA50 <sup>⑥⑧⑨</sup>	100,000	Aluminum				12.1			6.2	4.4
			W0408L1125SPA60 <sup>⑥⑧⑨</sup>	100,000	Aluminum				12.1			6.2	4.4
	8	16	W0816ML1125G <sup>⑦</sup>	100,000	Aluminum				14.7		12.5	4.4	
W0816ML1125CU <sup>⑦⑧</sup>			100,000	Copper	Use ECGB kits	14.7			12.5		4.4		
150	4	4	W0404MB1150CTS <sup>③④</sup>	22,000	Copper	2" HS Hub			ECLX384M Installed		20.0	11.1	4.7
200	4	W0404MB1200CT <sup>⑩④</sup>	22,000	Copper	2" HS Hub						20.0	11.1	4.7
		W0404MB1200CTS <sup>⑩④</sup>	22,000	Copper	HS Cover Plate	20.0	11.1				4.7		

<sup>①</sup> Suitable for use as service equipment when a main breaker (100A maximum) is used with retainer clip (Cat. No. ECMBR1).  
<sup>②</sup> Two Q115 and one Q130 included  
<sup>③</sup> 22KAIC Main Breaker factory installed  
<sup>④</sup> 70 amp maximum breaker.  
<sup>⑤</sup> Suitable for use as service entrance equipment when a main breaker (70A maximum) is used with retainer clip (Cat. No. ECMBR1).  
<sup>⑥</sup> Will not accommodate a 2-pole circuit breaker with shunt trip.  
<sup>⑦</sup> Suitable for use as service equipment. Check local codes and restrictions.  
<sup>⑧</sup> Packaged in quantities of 5.  
<sup>⑨</sup> cULus Listed  
<sup>⑩</sup> No Door  
<sup>⑪</sup> 10KAIC Main Breaker factory installed  
<sup>⑫</sup> For 2-pole 60A GFCI, a restriction of #6 wire applies due to wire bend space of the enclosure.  
<sup>⑬</sup> Suffix SPA50 indicates a factory installed 50A 2-pole GFCI and suffix SPA60 indicates a factory installed 60A 2-pole GFCI.  
<sup>⑭</sup> Suitable only for use as service equipment.  
<sup>⑮</sup> Suffix G20 includes factory installed 20A 2-pole GFCI. Suffix G25 includes factory installed 25A 2-pole GFCI. Suffix G30 includes factory installed 30A 2-pole GFCI.

# EQ® Load Centers, Small Circuit and Circuit Breaker Enclosures

1-Phase and 3-Phase, 240V AC Max.

## Features

- Circuit breaker enclosures range from 60A to 250A, indoor and outdoor models
- UL listed
- Suitable for use as service entrance equipment
- UL listed for 60/75°C Conductors (See equipment markings for applications)
- Outdoor type 3R devices use HS type hubs except for the W0204ML1060 which uses HA type hubs



Amp Rating	No. of Poles	Indoor Enclosure - NEMA Type 1						Outdoor Enclosure - NEMA Type 3R							
		Catalog Number	Breaker Used <sup>①</sup>	Max Short Circuit Rating	Std. Pkg.	Dimensions (inches)			Catalog Number	Breaker Used <sup>①</sup>	Max Short Circuit Rating	Std. Pkg.	Dimensions (inches)		
						H	W	D					H	W	D

### 1-Phase, 3-Wire SN - 120/240 Volts AC - Breaker Factory Installed

100	2	E0202MB1100	Q2100	22,000	1	17.3	7.3	4.3	W0202MB1100CU	Q2100	22,000	1	17.2	7.3	4.3
150	2	—	—	—	—	—	—	—	W0202MB1150CU	QN2150H	65,000	1	19.8	8.7	5
200	2	E0202MB1200	QN2200	22,000	1	20	8.7	4	W0202MB1200CU	QN2200H					
150	2	—	—	—	—	—	—	—	WB2150BQR	QR22B150L	10,000	1	26.9	7.1	4.4
200	2	—	—	—	—	—	—	—	WB2200BQR	QR22B200L					
225	2	—	—	—	—	—	—	—	WB2225BQR	QR22B225L					

### 1-Phase, 3-Wire SN - 120/240 Volts AC - Enclosure Only

60	2	E0204ML1060S <sup>②④</sup> E0204ML1060F <sup>②④</sup>	QP, QPH, or HQP	100,000 <sup>⑥</sup>	5	9.9	5.2	2.7	W0204ML1060 <sup>②④</sup> —	QP, QPH, or HQP —	100,000 <sup>⑥</sup>	5	8.1	5.5	3.6
125	2	E0204ML1125SCU <sup>③</sup> E0204ML1125FCU <sup>③</sup>	QP or QPH	22,000	1	17.3	7.3	4.3	W0204ML1125CU <sup>③</sup> —	QP or QPH —	22,000	1	17.2	7.3	4.3
200	2	—	—	—	—	—	—	—	W0202ML1200CU	QN, QNH, or HQN	65,000	1	19.8	8.7	5
225	1-4	—	—	—	—	—	—	—	W0406ML1225CU	QP	10,000	1	23.2	10.4	4.5
	2	—	—	—	—	—	—	—	QR2N3R2	QR2, QRH2, or HQR2	65,000	1	26.9	7.1	4.4
250	2	QR2N1S QR2N1F	QR2, QRH2, HQR2, or HQR2H	100,000	1	31.4	9.6	5.6	— —	— —	— —	— —	— —	— —	— —

### 3-Phase, 3-Wire 240 Volts AC or 3-Phase, 4-Wire SN — 120/208 Volts AC, 120/240, 240 Volts AC - Enclosure Only

100	2-3	E0303ML3100S <sup>⑤</sup>	QP or QPH	22,000	1	17.3	7.3	4.3	W0303ML3100 <sup>⑤</sup>	QP or QPH	22,000	1	17.2	7.3	4.3
250	2-3	QR2N1S	QR2, QRH2, HQR2, or HQR2H	100,000	1	31.4	9.6	5.6	QR2N3R3	QR2, QRH2, HQR2, or HQR2H	100,000	1	31.4	9.6	5.6
		QR2N1F	—						—	—					

① Additional breaker types may be listed on the wiring diagram.  
 ② Will not accommodate 2-pole circuit breaker with shunt trip. For 2-pole GFCI, accommodates types QPFB, QPHFB, HQPFB, QEB, QEHB, HQEB.

③ Can accommodate 2-pole GFCI breaker up to 60A.  
 ④ cULus Listed  
 ⑤ Will not accommodate circuit breaker with shunt trip.  
 ⑥ Series rating

# Renovation Interiors

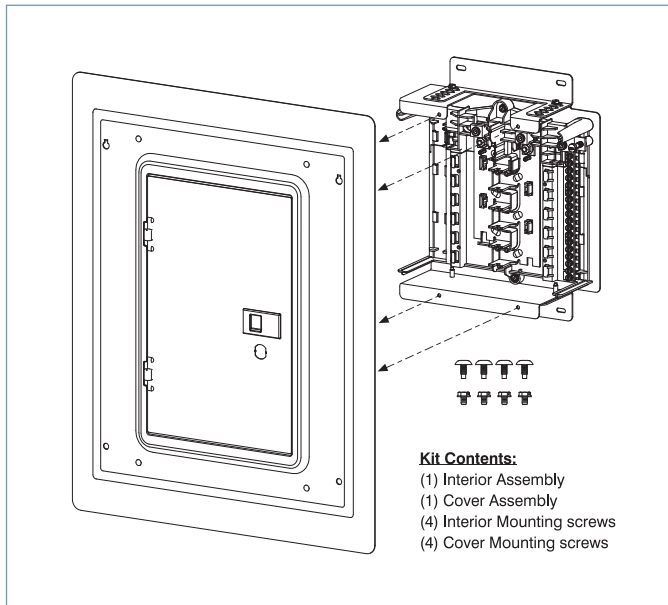
1 Phase, 3 WIRE, 120/240V

## Features

- For use in home renovations with existing load centers<sup>Ⓞ</sup>
- Suitable for use in indoor Type 1 Enclosure
- Interior, Flush Cover, and Hardware included
- Adjustable depth
- Incoming lugs: 2/0 - #4 AWG AL/CU
- cULus listed



Amp Rating	No. of Spaces	No. of Circuits	Catalog Numbers	Min. Enclosure Size (inches)			Max. Enclosure Size (inches)			Cover Dimensions (inches)	
				L	W	D <sup>Ⓞ</sup>	L	W	D <sup>Ⓞ</sup>	L	W
100	8	16	RE0816ML1100J	13.00	10.50	3.75	19.00	14.25	6.00	22.00	18.00
100	8	16	RE0816ML1100K	20.00	10.50	3.75	26.00	14.25	6.00	29.00	18.00
125	12	24	RE1224ML1125J	17.00	12.25	3.75	21.00	14.25	6.00	23.00	18.00
125	12	24	RE1224ML1125K	22.00	12.25	3.75	26.00	14.25	6.00	29.00	18.00



<sup>Ⓞ</sup> Existing enclosure must measure within listed dimensions for the use of the kit.

<sup>Ⓞ</sup> Depth of enclosure is measured from finished wall surface.

# Load Center Accessories<sup>①</sup>

Ground bar kits, hubs, lugs, and conversion kits

Catalog Number	Description	Pack Qty
----------------	-------------	----------

## Ground Bar Kits

EC1GB8	GROUND BAR KIT-8 POS	1
EC1GB82	GROUND BAR KIT-8 POS, 2/0 LUG	1
EC2GB12	GROUND BAR KIT-12 POS	1
EC2GB122	GROUND BAR KIT-12 POS, 2/0 LUG	1
EC2GB15	GROUND BAR KIT-15 POS	1
EC2GB152	GROUND BAR KIT-15 POS, 2/0 LUG	1
EC3GB21	GROUND BAR KIT-21 POS	1
EC3GB212	GROUND BAR KIT-21 POS, 2/0 LUG	1
EC3GB27	GROUND BAR KIT-27 POS	1
EC3GB272	GROUND BAR KIT-27 POS, 2/0 LUG	1
EC3GB30	GROUND BAR KIT-30 POS	1
EC3GB302	GROUND BAR KIT-30 POS, 2/0 LUG	1
EC3GB352	GROUND BAR KIT-35 POS, 2/0 LUG	1
EC3GB352G	GROUND BAR KIT-35 POS, 2/0 LUG <sup>②</sup>	1

## Ground Bar Kits (For Legacy Load Centers)

ECGB5	GROUND BAR KIT-5 POS	1
ECGB10	GROUND BAR KIT-10 POS	1
ECGB101	GROUND BAR KIT-10 POS, 1/0 LUG	1
ECGB14	GROUND BAR KIT-14 POS	1
ECGB141	GROUND BAR KIT-14 POS, 1/0 LUG	1
ECGB142	GROUND BAR KIT-14 POS, 2/0 LUG	1
ECGB20	GROUND BAR KIT-20 POS	1
ECGB201	GROUND BAR KIT-20 POS, 1/0 LUG	1
ECGB202	GROUND BAR KIT-20 POS, 2/0 LUG	1
ECINSGB5	INSULATED GROUND BAR KIT-5 POS	1
ECINSGB14	INSULATED GROUND BAR KIT-14 POS	1
ECINSGB20	INSULATED GROUND BAR KIT-20 POS	1

## Hubs

ECHA000	HA Type W0204ML1060	CLOSURE PLATE	1
ECHA075		HUB - 3/4"	1
ECHA100		HUB - 1"	1
ECHA125		HUB - 1 1/4"	1
ECHA150		HUB - 1 1/2"	1
ECHS000	HS Type PL & ES and Small Circuit Loadcenters	CLOSURE PLATE	1
ECHS075		HUB - 3/4"	1
ECHS100		HUB - 1"	1
ECHS125		HUB - 1 1/4"	1
ECHS150		HUB - 1 1/2"	1
ECHS200		HUB - 2"	1
ECHS250		HUB - 2 1/2"	1
ECHV000	HV Type 300-400A Loadcenters	CLOSURE PLATE	1
ECHV200 <sup>⑤</sup>		HUB - 2"	1
ECHV250 <sup>⑤</sup>		HUB - 2.5"	1
ECHV300 <sup>⑤</sup>		HUB 3"	1
ECHV350 <sup>⑤</sup>		HUB - 3.5"	1
ECHV400 <sup>⑤</sup>	HUB - 4"	1	

## Lock Kits

ECQFL1	FLUSH LOCK KIT-REPLACEMENT FOR EQ LC	1
ECQFL2	FLUSH LOCK KIT FOR PN, SN, PL, ES, ULT., AND 3PH 100A-225A	1
ECQFL3	ADD-A-LOCK (FLUSH LOCK) FOR 300-400A LC	1
ECQFL4	FLUSH LOCK KIT FOR FLAT WHITE TRIM LC	1

① The pack quantity is the number that is sold in a pack. Items listed on this page must be ordered in multiples of pack quantities but items are priced per each. For example, ECRLK250 come 3 to a pack so must be ordered in multiples of 3 but pricing would be individual unit price times 3.

Catalog Number	Description	Pack Qty
----------------	-------------	----------

## Load Center Conversion Kits<sup>③④</sup>

MBK100A	MAIN BREAKER KIT 100A 1PH 22K	1
MBK125A	MAIN BREAKER KIT 125A 1PH 22K	1
MBK150A	MAIN BREAKER KIT 150A 1PH 22K	1
MBK200A	MAIN BREAKER KIT 200A 1PH 22K	1
MBK225A	MAIN BREAKER KIT 225A 1PH 22K	1
MBK3100	MAIN BREAKER KIT 100A 3PH QP 240V 10K	1
MBK3125R	MAIN BREAKER KIT 125A 3PH 240V 10K, QR	1
MBK3150R	MAIN BREAKER KIT 150A 3PH 240V 10K, QR	1
MBK3175R	MAIN BREAKER KIT 175A 3PH 240V 10K, QR	1
MBK3200R	MAIN BREAKER KIT 200A 3PH 240V 10K, QR	1
MBK3225R	MAIN BREAKER KIT 225A 3PH 240V 10K, QR	1
MBK3125HR	MAIN BREAKER KIT 125A 3PH 240V 22K, QR	1
MBK3150HR	MAIN BREAKER KIT 150A 3PH 240V 22K, QR	1
MBK3175HR	MAIN BREAKER KIT 175A 3PH 240V 22K, QR	1
MBK3200HR	MAIN BREAKER KIT 200A 3PH 240V 22K, QR	1
MBK3225HR	MAIN BREAKER KIT 225A 3PH 240V 22K, QR	1
MBK3125HHR	MAIN BREAKER KIT 125A 3PH 240V 65K, QR	1
MBK3150HHR	MAIN BREAKER KIT 150A 3PH 240V 65K, QR	1
MBK3175HHR	MAIN BREAKER KIT 175A 3PH 240V 65K, QR	1
MBK3200HHR	MAIN BREAKER KIT 200A 3PH 240V 65K, QR	1
MBK3225HHR	MAIN BREAKER KIT 225A 3PH 240V 65K, QR	1
HMBK3125HR	MAIN BREAKER KIT 125A 3PH 240V 100K, QR	1
HMBK3150HR	MAIN BREAKER KIT 150A 3PH 240V 100K, QR	1
HMBK3175HR	MAIN BREAKER KIT 175A 3PH 240V 100K, QR	1
HMBK3200HR	MAIN BREAKER KIT 200A 3PH 240V 100K, QR	1
HMBK3225HR	MAIN BREAKER KIT 225A 3PH 240V 100K, QR	1
ECMLK125	1 PH MAIN LUG CONVERSION KIT 100-125A	1
ECMLK225	1 PH MAIN LUG CONVERSION KIT 150-225A	1
ECMLK3125	3 PH MAIN LUG CONVERSION KIT 100-125A	1
ECMLK3225	3 PH MAIN LUG CONVERSION KIT 150-225A	1

## Lug Kits

ECCS1	COLLAR STRAP FOR GRD BARS #12-2/0	1
ECCS2	COLLAR STRAP FOR GRD BARS #6-250	1
ECLKB1	NEUTRAL LUG KIT WITH BOND TAB	1
ECLK3	NEUTRAL LUG KIT #1-300	1
ECLK1-2	NEUTRAL LUG KIT #4-2/0 WITH BARRIER	1
ECLK2N	NEUTRAL LUG KIT #4-2/0 (100A-125A)	1
ECLK3N	NEUTRAL LUG KIT #1-300 (150A-225A)	1
ECLK2	NEUTRAL LUG KIT #4-2/0	1
ECLK2SC	2/0 LUG FOR 125AMP NEUTRAL FEEDER	1
ECLK2125	125A SUB FEED LUGS-USES 2 SPACES	1
ECSK2225	150A-225A SUB FEED LUGS-USES 4 SPACES	1
ECSK3225	3P SUB FEED LUGS-USES 6 SPACES	1
ECRLK250	RISER LUG KIT 250 KCMIL	3

## Miscellaneous Load Center Accessories

ECCP1	PKG OF 100 CIRCUIT DIRECTORY	100
ECQF3	QP/BQ/ED2 FILLER PLATE	5
ECMBF125	1 PH 100&125A MAIN BREAKER FILLER PLATE	1
EC3PMFP1	3 POLE MAIN FILLER PLATE, QJ	1
EC3PMFPR	3 POLE MAIN FILLER PLATE, QR	1
ECSMK1	SURFACE MOUNT 1/4" SPACE KIT FOR LC'S	4
ECTS2	LC TRIM SCREWS	6
ECTS2W	LC TRIM SCREWS WHITE	6
ECLCHINGE	LC HINGES - GREY	100
ECLCHINGEW	LC HINGES - WHITE	100
ECADHLCDIRLBL	ADHESIVE LC DIRECTORY LABELS	100
ECSIELATCH	SIEMENS LC LATCHES - GREY	25
ECSIELATCHW	SIEMENS LC LATCHES - WHITE	25
ECBONDSCRW	LC BOND SCREW	10
RAG24	RISER AUX GUTTER 24"	1
ECAFL	ARC FLASH LABEL	10

② Bar has green-colored screws.

③ QR Main Breaker Kits include a QR filler plate.

④ Main Breaker Kits include line terminal barriers.

⑤ HVGK - Type HV hub gasket kit sold separately.

# Load Centers Accessories

## Miscellaneous Load Center Accessories



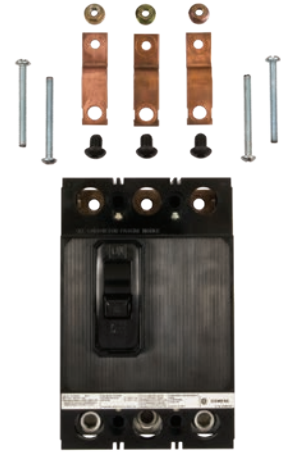
Lug Kit, 3-Pole, Subfeed or Feed thru Applications  
**ECCK3225**



2 PH Main Lug Conversion Kit  
150A-225A  
**ECMLK225**



Main Breaker Kit  
200A - 225A, 1PH 22K  
**MBK200A**



3-Pole Main Breaker Kit  
**MBK3200**



Main Breaker Retainer Kit for EQ Load Centers  
**ECMBR1**



Main Breaker Retainer kit for PN, SN, PL, ES, & Ultimate Load Centers  
**ECMBR2**



Ground Bar Kit  
20 POS. 2/0 Lug  
**ECGB202**



Ground Bar Kit, **ECGB14**



Neutral Lug Kit, **ECLK1-2**  
wire range — #2-1 AWG  
Cu or Al



Neutral Lug Kit, **ECLK3**  
wire range — #1-300 MCM  
Neutral Lug Kit, **ECLK2**  
wire range — #4-#2/0 AWG  
Cu or Al



Collar Strap  
For use on Ground Bar only  
**ECCS1; ECCS2**



Add-A-Lock  
(Flush Lock) **ECQFL1**  
For EQ load centers



Filler Plate, **ECQF3**



Add-A-Lock  
(Flush Lock), **ECQFL2**  
PN, SN, PL, ES, Ultimate Load  
Centers and EQ III up to 225A



Add-A-Lock  
(Flush Lock), **ECQFL3**  
300-400A Load Centers

# Load Centers Accessories

## Load Center and Meter Combos Accessories

### Load centers and meter combos

Touchsafe barriers are required for any single main service entrance application for a panel covered under UL 67. Line Terminal Barriers will be included in Main Breaker Load Centers and Single Main Meter Combos manufactured after January 1, 2017.

Single phase and 3-phase main breaker kits will include a barrier. Field installable kits are being created for replacements if needed and line terminal barriers are being added to hold down kits that can be used in back-fed applications. The barriers are designed to have minimal interference during load center installation, and can be removed and reattached as necessary.



	Catalog number	Description
	<b>ECLTB1</b>	For EQ Main Breakers/MBK kits 100A-125A
	<b>ECLTB2</b>	For EQ Main Breakers/MBK kits 150A-225A
	<b>ECLTB3</b>	For QN / QNR type breakers
	<b>ECLTB4</b>	For QR 3 phase breakers
	<b>ECLTB5</b>	For 2 Pole, 125A CB enclosures
	<b>ECLTB6</b>	For 3 Pole, 100A CB enclosures
	<b>ECLTB7</b>	For 2 Pole, 400A meter combos

	Catalog number	Description
	<b>ECLTB9</b>	For 2 Pole, 200A CB enclosures with copper bus
	<b>ECLTB10</b>	For 2 Pole, 200A CB enclosures with aluminum bus
	<b>ECLTB11</b>	For 2 Pole, 60A CB enclosures
	<b>ECMBR1</b> <sup>Ⓞ</sup>	For 2 Pole QP / MP-T type breakers for EQIII (extruded basepan)
	<b>ECMBR2</b> <sup>Ⓞ</sup>	For 2 Pole QP / MP-T type breakers to be used with PN, SN, ES, PL, Ultimate, and legacy Murray or Rock Solid load centers
	<b>ECMBR3</b>	For 3 Pole QP / MP-T type breakers to be used with PL, ES 3 phase load centers
	<b>ECLX387HD</b>	For 2 Pole MP-T type breakers in legacy Murray load centers















Ⓞ Barrier fits with 2-pole QP 70A and above and all amperages of QPH and HQP.

# Load Centers Accessories

## Manual Transfer Interlock Kits for Load Centers and Meter Combinations

Prevents dangerous feedback between two sources of power

### Manual Transfer Interlock Kits<sup>Ⓢ</sup>

Catalog number	Usage Information	Utility main breaker types	Standby main breaker types	Interlock Number
 <b>ECSBPK01</b>	For use on load centers or meter combinations that will accept 2-pole circuit breakers opposite one another as shown.	QP, QPH, HQPH	QP, QPH, HQPH	<b>1</b> 
 <b>ECSBPK02</b>	For use on load centers or meter combinations that will accept 2- or 4-pole next to a 2-pole circuit breaker side by side as shown.	QP, QPH, HQPH	QP, QPH, HQPH	<b>2</b> 
 <b>ECSBPK03</b>	For use on PL, ES, Ultimate and Rock Solid load centers, 150 amp and higher, to connect the main breaker to a 2-pole circuit breaker.	MBK150A, MBK200A, OR MBK225A	QP, QPH, HQPH	<b>3</b> 
<b>ECSBPK10</b>	For use on PN and SN plug-on neutral load centers, 150 amp and higher, to connect the main breaker to a 2-pole circuit breaker.			
 <b>ECSBPK04</b>	For use on PL, ES, Ultimate and Rock Solid load centers, 125 amp and lower, to connect the main breaker to a 2-pole circuit breaker.	MBK100A or MBK125A	QP, QPH, HQPH	<b>4</b> 
<b>ECSBPK11</b>	For use on PN and SN plug-on neutral load centers, 125 amp and lower, to connect the main breaker to a 2-pole circuit breaker.			
 <b>ECSBPK05</b>	For use on load centers or meter combinations that will accept a QNR (MD-TR) frame circuit breaker next to a 2-pole circuit breaker as shown.	QNR, QNRH, HQNR	QP, QPH, HQPH	<b>5</b> 
 <b>ECSBPK06</b>	For use on load centers or meter combinations that will accept a QN (MD-T) frame circuit breaker next to a 2-pole circuit breaker as shown.	QN, QNH, HQN	QP, QPH, HQPH	<b>6</b> 
 <b>ECSBPK07</b>	For use on load centers or meter combinations that will accept two QNR (MD-TR) circuit breakers side by side as shown OR will accept two QN (MD-T) circuit breakers side by side as shown.	QNR, QNRH, HQNR, QN, QNH, HQN	QNR, QNRH, HQNR QN, QNH, HQN	<b>7</b> 
<b>ECSBPK08</b>	For use on 8 space over/under OH/UG feed meter combinations (MC0816B1***CT/RCT/RJBT only), 150 amp and higher, to connect the main breaker to a 2-pole circuit breaker.	QPP, QPPH	QP, QPH, HQP	
<b>ECSBPK09</b>	For use on 20 space over/under OH/UG feed meter combinations (MC2040B1***RC/RJB/RJBC only), 150 amp and higher, to connect the main breaker to a 2-pole circuit breaker.	QPP, QPPH	QP, QPH, HQP	

<sup>Ⓢ</sup> Manual breaker interlock kits are attached to the breakers not the trim of the load center.

# Inhab<sup>®</sup> Smart Home Energy Management

Inhab Energy Monitor **NEW**

## Smart Home Energy Monitor

### A new standard for smart living

The Siemens Inhab<sup>®</sup> Energy Monitor is a smart device that easily installs into most common home electrical panels to send usage and production data to the cloud and mobile app. It reports how much energy is being used or generated in real time to reduce unnecessary energy consumption.

### Track your energy usage in seconds

The Inhab<sup>®</sup> Energy Monitor continuously monitors your electrical system, allowing you to set alerts, manage peak demand, and control your energy costs. You can access energy usage data in real-time through the Inhab Energy mobile app, which will send alerts directly to your phone detailing any unusual energy usage as well as energy bill savings opportunities.

### Key benefits:

- Track residential energy usage 24/7 in seconds.
- Easily installed in your existing or new electrical panel.
- Receive alert notifications for saving opportunities or abnormal energy behavior.
- Shift usage patterns from peak to off-peak rates.
- Compare past energy usage to set and smash achievable goals.
- Effortless setup and monitoring through the Inhab Energy mobile app.
- Track and manage solar energy usage – net metering.
- Resizable CT wires to reduce clutter.

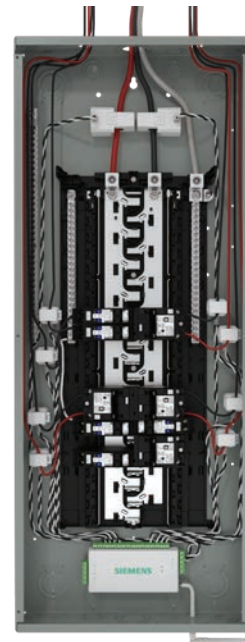
### Order Information

Description	Catalog number
Inhab Energy Controller, 2 x 200 Amp mains CTs + 16 x 50 Amp branch circuit CTs	INHEM1216 <sup>①</sup>
200 Amp Mains CT (Pack Qty 1)	INHEM010

### Specifications

Supported Systems	Single phase, 2-wire systems; Single-split phase, 3-wire systems; 3-phase, 4-wire Wye systems with earthed (TN or TT) neutral (no-Delta)
CT Current Sensors	Up to 3 x 200A mains and up to 16 x 50A branch circuits
Max Voltage Sensing	264VAC L-N per channel
Wi-Fi	2.4GHz, IEEE 802.11b/g/n
Ethernet	10/100Base-T, IEEE 802.3
Operating Conditions	-40° - 122° F (-40° - 50° C)   0-80% RH   3,000 meters above sea level   Indoor   Dry location   Pollution Degree 2

<sup>①</sup> For 3-Phase installations, order additional 200A Mains CT INHEM010.



# Inhab<sup>®</sup> Smart Home Energy Management

Inhab Load Manager **NEW**

## 1 Load Management System

### Avoid unnecessary costly upgrades

The Inhab<sup>®</sup> Load Manager allows you to add an EV charger or other large loads to your home, all without the need for costly panel and utility service upgrades.

The Load Manager connects in-line with an electrical load and intelligently controls power to the load based on available electrical capacity at the panel. When the electrical panel reaches the maximum energy consumption threshold, the load is temporarily disconnected from the panel to prevent a panel overload condition. Once the system determines that there is enough available electrical capacity to resume load operation, the load manager automatically reconnects power to the load.

### Key benefits:

- Avoid costly electrical panel and service upgrades to add an EV to your home
- Prevent electrical overloads by only charging EV when there is available capacity
- Use with any EV charger brand or other large load that requires a circuit breaker up to 60A
- Easily installs in new or existing homes with panel feeds up to 225A
- Reduce new construction costs and electrical service size by excluding Load Manager circuit from load calculations

### Order Information

Description	Catalog number
Inhab <sup>®</sup> Load Manager <sup>Ⓞ</sup>	LM1160

### Specifications

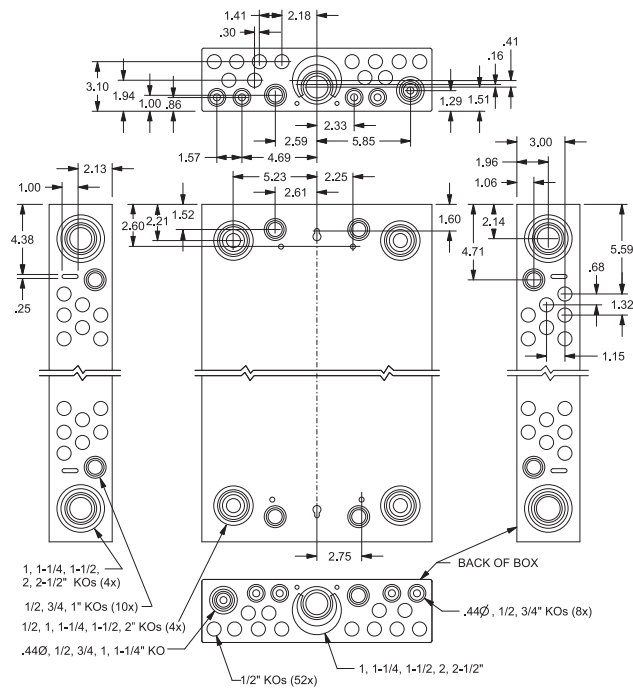
Load Ratings	Phases	Single phase
	Amp rating	48A (Fed from feeder breaker max 60A)
	Voltage	240V AC
	Frequency	60 Hz
Measurement - CT Current Sensors	Amp rating	225A
Construction	Enclosure	Outdoor Enclosure - NEMA Type 3R - Gray



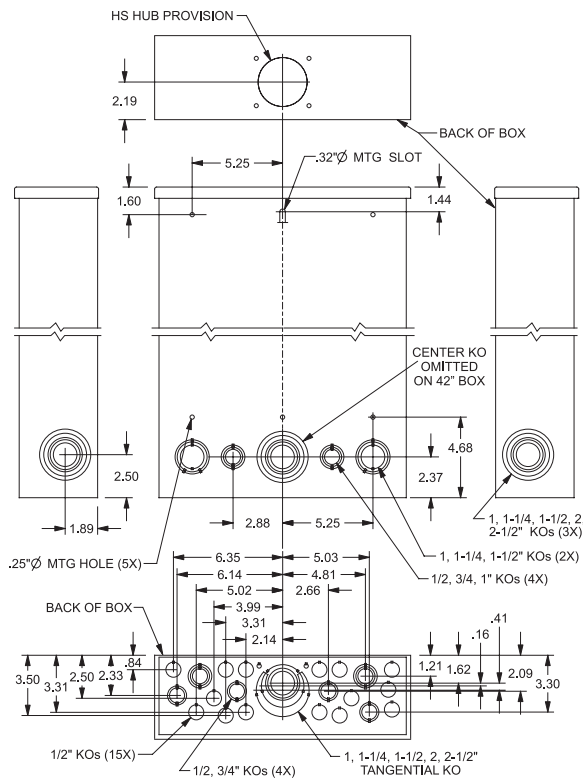
<sup>Ⓞ</sup> Compatible with HS Type Hubs. Closure plate included.

# Load Centers

## 1-Phase Indoor and 1-Phase & 3-Phase Outdoor Enclosures—Knockout Diagrams



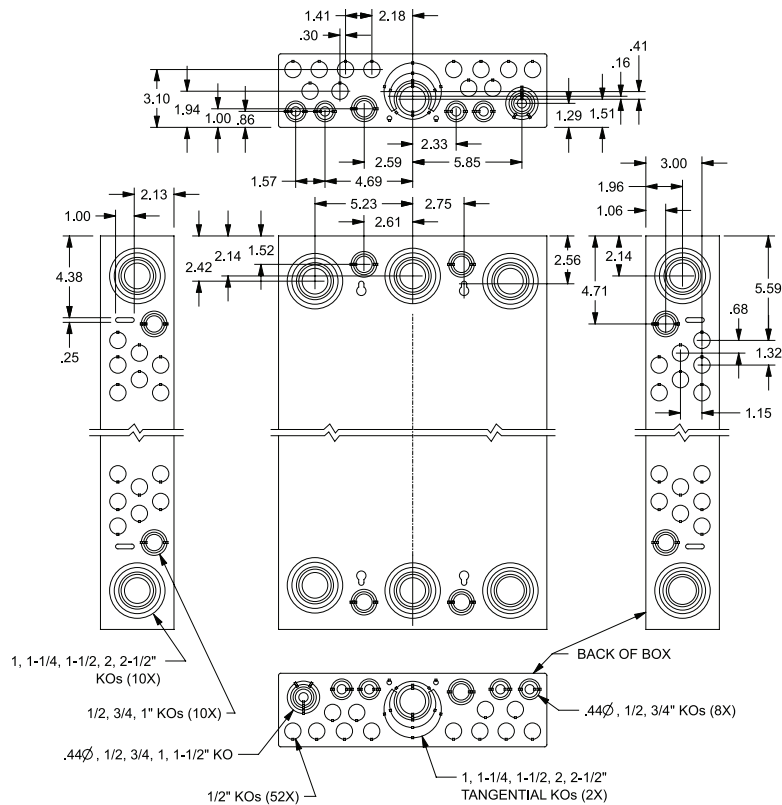
**SN and PN  
1 Phase Load Centers  
Indoor**



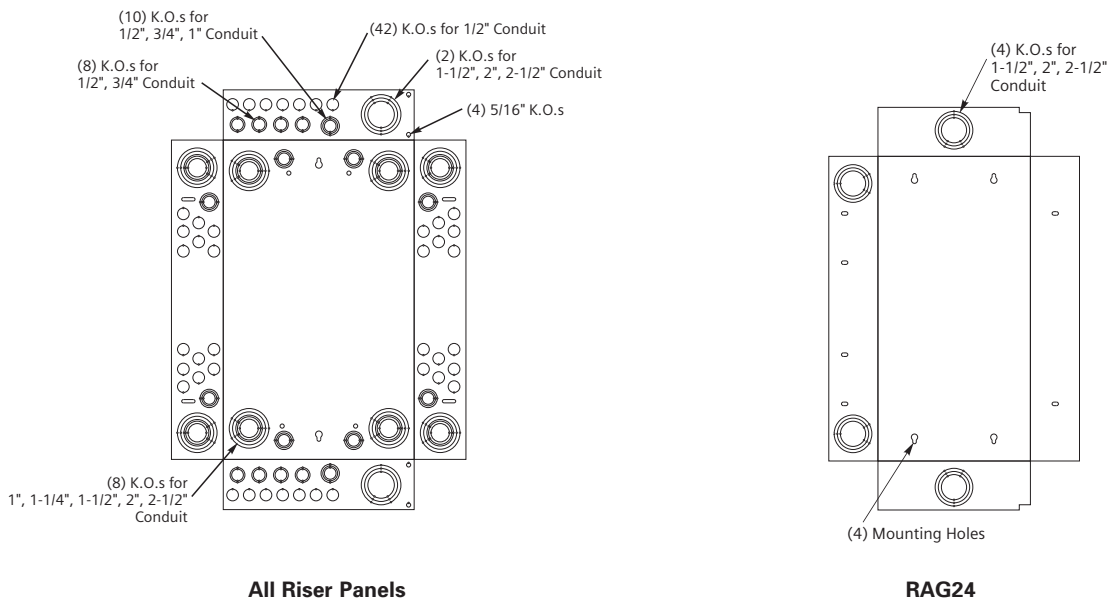
**ES, PL, and Generator Ready—1 and 3 Phase Load Centers  
and PN and SN—1 Phase Load Centers  
Outdoor**

# Load Centers

## 3-Phase Indoor and Riser Enclosures—Knockout Diagrams



**ES and PL  
3 Phase Load Centers  
Indoor**

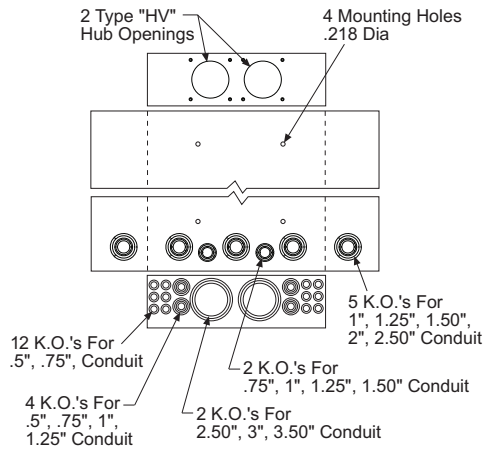


**All Riser Panels**

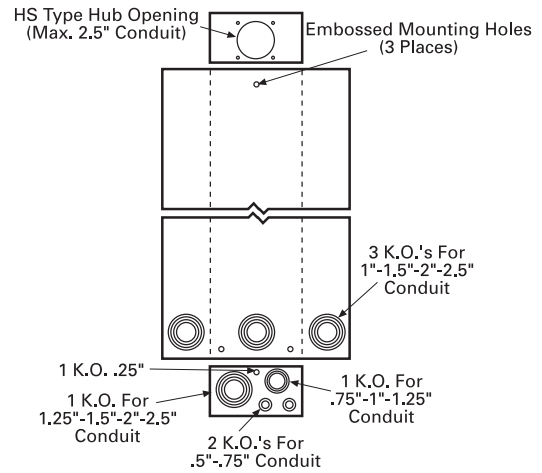
**RAG24**

# Load Centers

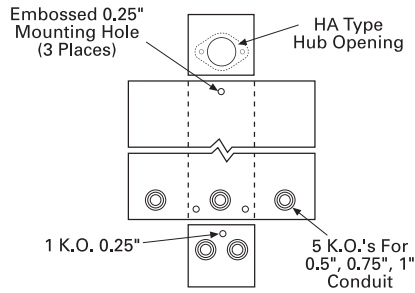
## Outdoor Enclosures—Knockout Diagrams



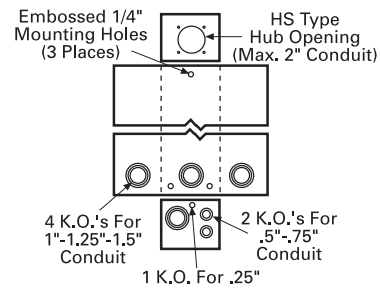
**Outdoor 400A Load Center**



**W0406ML1125CU**



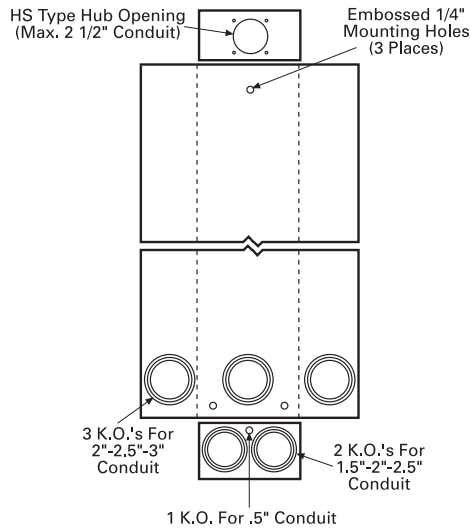
**W0204ML1060**



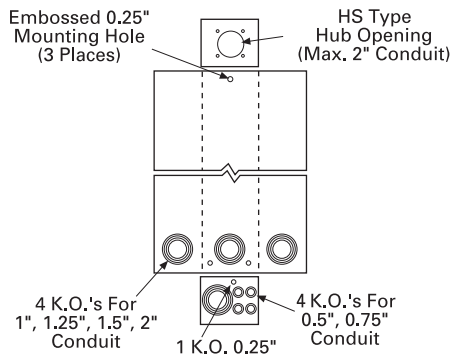
**W0408ML1125**

# Load Centers

## Outdoor Enclosures—Knockout Diagrams

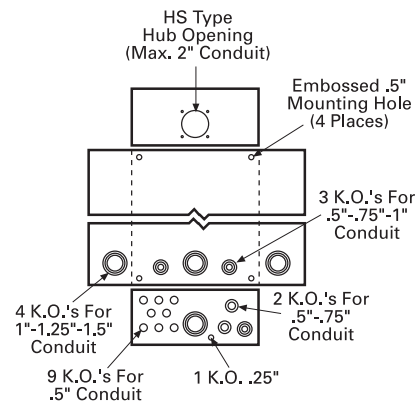


**WB2225 and WB32225**



**W0204ML1125**

**W0303ML3100**

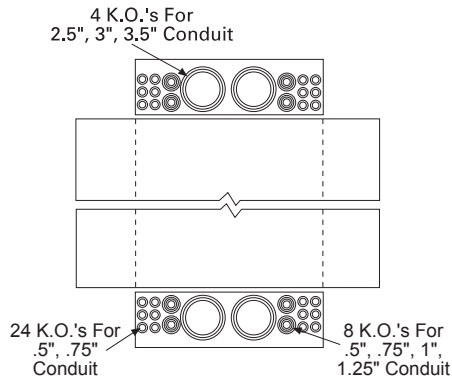


**W0612ML1125**

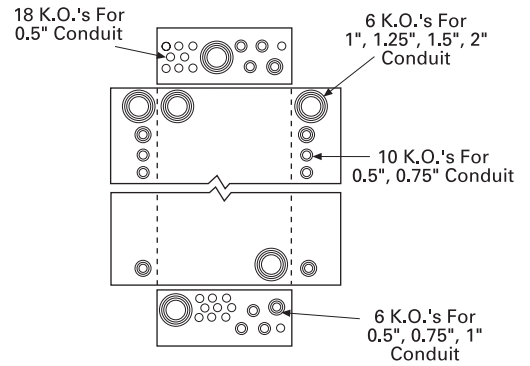
**W0816ML1125**

# Load Centers

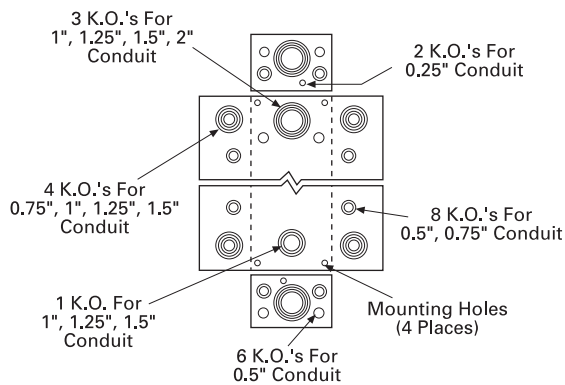
## Indoor Enclosures—Knockout Diagrams



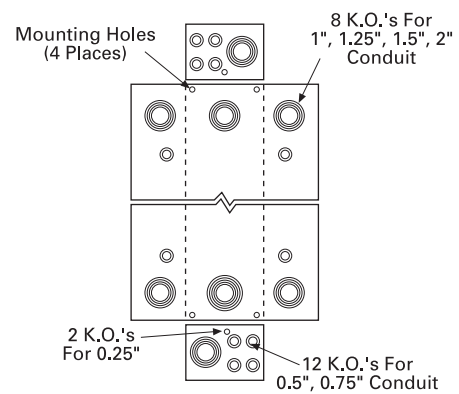
**Indoor 300-400A  
Load Center**



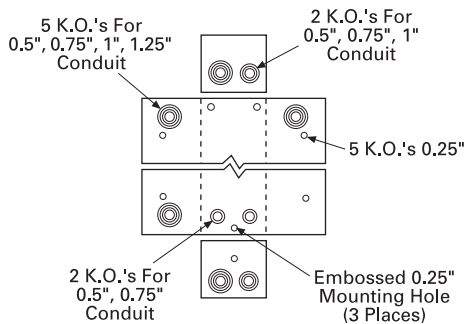
**E0612ML1125  
E0816ML1125  
E1224ML1100F**



**E0408ML1125**



**E0303ML3100S**



**E0204ML1060**

# Load Centers

## Cross Reference

Phase	Enclosure	Legacy Catalog Number	New Catalog Number	Main	Amperage	Bus
1	Indoor	LC1224B1100	SN1224B1100	Main Breaker	100	Aluminum
1	Indoor	LC1224L1125	SN1224L1125	Main Lug	125	Aluminum
1	Indoor	LC1224L1125P	SN2020B1100P1	Main Lug	125	Aluminum
1	Indoor	LC1224L1125W	SN1224L1125W	Main Lug	125	Aluminum
1	Indoor	LC1632B1150	SN1632B1150	Main Breaker	150	Aluminum
1	Indoor	LC1632B1200	SN1632B1200	Main Breaker	200	Aluminum
1	Indoor	LC1632L1125	SN1632L1125	Main Lug	125	Aluminum
1	Indoor	LC1632L1125W	SN1632L1125W	Main Lug	125	Aluminum
1	Indoor	LC1632L1150	SN1632L1150	Main Lug	150	Aluminum
1	Indoor	LC2040B1100	SN2040B1100	Main Breaker	100	Aluminum
1	Indoor	LC2040B1100CU	PN2040B1100C	Main Breaker	100	Copper
1	Indoor	LC2040B1100P	SN2020B1100P1	Main Breaker	100	Aluminum
1	Indoor	LC2040B1150	SN2040B1150	Main Breaker	150	Aluminum
1	Indoor	LC2040B1200	SN2040B1200	Main Breaker	200	Aluminum
1	Indoor	LC2040B1200CU	PN2040B1200C	Main Breaker	200	Copper
1	Indoor	LC2040B1200P	SN3048B1200P1	Main Breaker	200	Aluminum
1	Indoor	LC2040L1125	SN2040L1125	Main Lug	125	Aluminum
1	Indoor	LC2040L1125CU	PN2040L1125C	Main Lug	125	Copper
1	Indoor	LC2040L1200	SN2040L1200	Main Lug	200	Aluminum
1	Indoor	LC2040L1200CU	PN2040L1200C	Main Lug	200	Copper
1	Indoor	LC2440B1100	SN2448B1100	Main Breaker	100	Aluminum
1	Indoor	LC2440B1150	SN2448B1150	Main Breaker	150	Aluminum
1	Indoor	LC2440B1200	SN2448B1200	Main Breaker	200	Aluminum
1	Indoor	LC2440L1150	SN2448L1150	Main Lug	150	Aluminum
1	Indoor	LC2440L1200	SN2448L1200	Main Lug	200	Aluminum
1	Indoor	LC2448B1100	SN2448B1100	Main Breaker	100	Aluminum
1	Indoor	LC2448B1100P	SN2020B1100P1	Main Breaker	100	Aluminum
1	Indoor	LC3040B1100	SN3048B1100	Main Breaker	100	Aluminum
1	Indoor	LC3040B1100W	SN3048B1100W	Main Breaker	100	Aluminum
1	Indoor	LC3040B1150	SN3048B1150	Main Breaker	150	Aluminum
1	Indoor	LC3040B1200	SN3048B1200	Main Breaker	200	Aluminum
1	Indoor	LC3040B1200CU	PN3048B1200C	Main Breaker	200	Copper
1	Indoor	LC3040B1200P	SN3048B1200P1	Main Breaker	200	Aluminum
1	Indoor	LC3040L1125	SN3048L1125	Main Lug	125	Aluminum
1	Indoor	LC3040L1200	SN3048L1200	Main Lug	200	Aluminum
1	Indoor	LC3040L1200CU	PN3048L1200C	Main Lug	200	Copper
1	Indoor	LC3054B1200	SN3048B1200	Main Breaker	200	Aluminum
1	Indoor	LC3060B1200P	SN3048B1200P1	Main Breaker	200	Aluminum
1	Indoor	LC4040B1200	SN4040B1200	Main Breaker	200	Aluminum
1	Indoor	LC4040B1200CU	PN4040B1200C	Main Breaker	200	Copper
1	Indoor	LC4040B1200P	SN4040B1200P1	Main Breaker	200	Aluminum
1	Indoor	LC4040L1200	SN4040L1200	Main Lug	200	Aluminum

# Load Centers

## Cross Reference

Phase	Enclosure	Legacy Catalog Number	New Catalog Number	Main	Amperage	Bus
1	Indoor	LC4040L1200CU	PN4040L1200C	Main Lug	200	Copper
1	Indoor	LC4040L1200W	SN4040L1200W	Main Lug	200	Aluminum
1	Indoor	LC4060B1200	SN4060B1200	Main Breaker	200	Aluminum
1	Indoor	LC4060L1225	SN4060L1225	Main Lug	225	Aluminum
1	Indoor	LC4242L1225CU	PN4264L1225C	Main Lug	225	Copper
1	Indoor	LC4260B1200	SN4264B1200	Main Breaker	200	Aluminum
1	Indoor	LC4260B1200P	SN4040B1200P1	Main Breaker	200	Aluminum
1	Outdoor	LW0816L1200TR	SNW0816L1200T	Main Lug	200	Aluminum
1	Outdoor	LW1224B1100	SNW1224B1100	Main Breaker	100	Aluminum
1	Outdoor	LW1224B1200	SNW1224B1200	Main Breaker	200	Aluminum
1	Outdoor	LW1224L1125	SNW1224L1125	Main Lug	125	Aluminum
1	Outdoor	LW1224L1200	SNW1224L1200	Main Lug	200	Aluminum
1	Outdoor	LW1224L1225CU	PNW1224L1225C	Main Lug	225	Copper
1	Outdoor	LW1632B1100	SNW1632B1100	Main Breaker	100	Aluminum
1	Outdoor	LW1632L1125	SNW1632L1125	Main Lug	125	Aluminum
1	Outdoor	LW2040B1150	SNW2040B1150	Main Breaker	150	Aluminum
1	Outdoor	LW2040B1200	SNW2040B1200	Main Breaker	200	Aluminum
1	Outdoor	LW2040L1125	SNW2040L1125	Main Lug	125	Aluminum
1	Outdoor	LW2040L1200	SNW2040L1200	Main Lug	200	Aluminum
1	Outdoor	LW3040B1200	SNW3048B1200	Main Breaker	200	Aluminum
1	Outdoor	LW3040L1200	SNW3048L1200	Main Lug	200	Aluminum
1	Outdoor	LW4040B1200	SNW4040B1200	Main Breaker	200	Aluminum
1	Outdoor	LW4242L1225CU	PNW4264L1225C	Main Lug	225	Copper
1	Indoor	P1212L1125CU	PN1212L1125C	Main Lug	125	Copper
1	Indoor	P1224B1100CU	PN1224B1100C	Main Breaker	100	Copper
1	Indoor	P1224L1125CU	PN1224L1125C	Main Lug	125	Copper
1	Indoor	P1224L1125CUSG	PN1224L1125C	Main Lug	125	Copper
1	Indoor	P1224L1200CU	PN1224L1200C	Main Lug	200	Copper
1	Indoor	P1624B1100CU	PN1632B1100C	Main Breaker	100	Copper
1	Indoor	P1624B1100CUW	PN1632B1100CW	Main Breaker	100	Copper
1	Indoor	P1624L1125CU	PN1632L1125C	Main Lug	125	Copper
1	Indoor	P1624L1125CUSG	PN1632L1125C	Main Lug	125	Copper
1	Indoor	P2020B1100CU	PN2020B1100C	Main Breaker	100	Copper
1	Indoor	P2020L1125CU	PN2020L1125C	Main Lug	125	Copper
1	Indoor	P2020L1125CUW	PN2020L1125CW	Main Lug	125	Copper
1	Indoor	P2024B1100CU	PN2040B1100C	Main Breaker	100	Copper
1	Indoor	P2024L1125CU	PN2040L1125C	Main Lug	125	Copper
1	Indoor	P2030B1150CU	PN2040B1150C	Main Breaker	150	Copper
1	Indoor	P2030L1125CUSG	PN2040L1125C	Main Lug	125	Copper
1	Indoor	P2030L1150CU	PN2040L1150C	Main Lug	150	Copper
1	Indoor	P2030L1150CUSG	PN2040L1150C	Main Lug	150	Copper
1	Indoor	P2040B1100ACU	PN2040B1100C	Main Breaker	100	Copper

# Load Centers

## Cross Reference

Phase	Enclosure	Legacy Catalog Number	New Catalog Number	Main	Amperage	Bus
1	Indoor	P2040B1100ACUW	PN2040B1100CW	Main Breaker	100	Copper
1	Indoor	P2040B1150ACU	PN2040B1150C	Main Breaker	150	Copper
1	Indoor	P2040B1150ACUW	PN2040B1150CW	Main Breaker	150	Copper
1	Indoor	P2040B1200ACU	PN2040B1200C	Main Breaker	200	Copper
1	Indoor	P2040B1200ACUW	PN2040B1200CW	Main Breaker	200	Copper
1	Indoor	P2040B1200CU	PN2040B1200C	Main Breaker	200	Copper
1	Indoor	P2040L1125ACU	PN2040L1125C	Main Lug	125	Copper
1	Indoor	P2040L1125ACUW	PN2040L1125CW	Main Lug	125	Copper
1	Indoor	P2040L1150ACU	PN2040L1150C	Main Lug	150	Copper
1	Indoor	P2040L1150ACUW	PN2040L1150CW	Main Lug	150	Copper
1	Indoor	P2040L1200ACU	PN2040L1200C	Main Lug	200	Copper
1	Indoor	P2040L1200ACUW	PN2040L1200CW	Main Lug	200	Copper
1	Indoor	P2040L1200CU	PN2040L1200C	Main Lug	200	Copper
1	Indoor	P2424B1100CU	PN2424B1100C	Main Breaker	100	Copper
1	Indoor	P2430L1125CUSG	PN2448L1125C	Main Lug	125	Copper
1	Indoor	P2440L1125CU	PN2448L1125C	Main Lug	125	Copper
1	Indoor	P2440L1125CUW	PN2448L1125CW	Main Lug	125	Copper
1	Indoor	P2440L1200CU	PN2448L1200C	Main Lug	200	Copper
1	Indoor	P2448B1100ACU	PN2424B1100C	Main Breaker	100	Copper
1	Indoor	P2448B1100ACUW	PN2424B1100CW	Main Breaker	100	Copper
1	Indoor	P2448L1125ACU	PN2448L1125C	Main Lug	125	Copper
1	Indoor	P2448L1125ACUW	PN2448L1125CW	Main Lug	125	Copper
1	Indoor	P2448L1200ACU	PN2448L1200C	Main Lug	200	Copper
1	Indoor	P2448L1200ACUW	PN2448L1200CW	Main Lug	200	Copper
1	Indoor	P3030B1100CU	PN3030B1100C	Main Breaker	100	Copper
1	Indoor	P3030B1125CU	PN3030B1125C	Main Breaker	125	Copper
1	Indoor	P3030B1125CUW	PN3030B1125CW	Main Breaker	125	Copper
1	Indoor	P3030B1150CU	PN3030B1150C	Main Breaker	150	Copper
1	Indoor	P3030L1200CU	PN3030L1200C	Main Lug	200	Copper
1	Indoor	P3040B1200	PN3048B1200	Main Breaker	200	Aluminum
1	Indoor	P3040B1200CU	PN3048B1200C	Main Breaker	200	Copper
1	Indoor	P3040B1200W	PN3048B1200W	Main Breaker	200	Aluminum
1	Indoor	P3040L1125CU	PN3048L1125C	Main Lug	125	Copper
1	Indoor	P3040L1125CUW	PN3048L1125CW	Main Lug	125	Copper
1	Indoor	P3040L1200	PN3048L1200	Main Lug	200	Aluminum
1	Indoor	P3040L1200CU	PN3048L1200C	Main Lug	200	Copper
1	Indoor	P3040L1200CUSG	PN3048L1200C	Main Lug	200	Copper
1	Indoor	P3040L1200CUW	PN3048L1200CW	Main Lug	200	Copper
1	Indoor	P3040L1200SG	PN3048L1200	Main Lug	200	Aluminum
1	Indoor	P3040L1200W	PN3048L1200W	Main Lug	200	Aluminum
1	Indoor	P3042B1125CUSP	PN3030B1125C	Main Breaker	125	Copper
1	Indoor	P3054B1200S140	PN3048B1200S14	Main Breaker	200	Copper

# Load Centers

## Cross Reference

Phase	Enclosure	Legacy Catalog Number	New Catalog Number	Main	Amperage	Bus
1	Indoor	P3054L1200CU	PN3048L1200C	Main Lug	200	Copper
1	Indoor	P3060B1100ACU	PN3030B1100C	Main Breaker	100	Copper
1	Indoor	P3060B1100ACUW	PN3030B1100CW	Main Breaker	100	Copper
1	Indoor	P3060B1125ACU	PN3030B1125C	Main Breaker	125	Copper
1	Indoor	P3060B1125ACUW	PN3030B1125CW	Main Breaker	125	Copper
1	Indoor	P3060B1150ACU	PN3030B1150C	Main Breaker	150	Copper
1	Indoor	P3060B1150ACUW	PN3030B1150CW	Main Breaker	150	Copper
1	Indoor	P3060B1200A	PN3048B1200	Main Breaker	200	Aluminum
1	Indoor	P3060B1200ACU	PN3048B1200C	Main Breaker	200	Copper
1	Indoor	P3060B1200ACUW	PN3048B1200CW	Main Breaker	200	Copper
1	Indoor	P3060B1200AW	PN3048B1200W	Main Breaker	200	Aluminum
1	Indoor	P3060L1125ACU	PN3048L1125C	Main Lug	125	Copper
1	Indoor	P3060L1125ACUW	PN3048L1125CW	Main Lug	125	Copper
1	Indoor	P3060L1200A	PN3048L1200	Main Lug	200	Aluminum
1	Indoor	P3060L1200ACU	PN3048L1200C	Main Lug	200	Copper
1	Indoor	P3060L1200ACUW	PN3048L1200CW	Main Lug	200	Copper
1	Indoor	P3060L1200AW	PN3048L1200W	Main Lug	200	Aluminum
1	Indoor	P4040B1200	PN4040B1200	Main Breaker	200	Aluminum
1	Indoor	P4040B1200CU	PN4040B1200C	Main Breaker	200	Copper
1	Indoor	P4040B1200CUSG	PN4040B1200C	Main Breaker	200	Copper
1	Indoor	P4040B1200CUW	PN4040B1200CW	Main Breaker	200	Copper
1	Indoor	P4040B1200W	PN4040B1200W	Main Breaker	200	Aluminum
1	Indoor	P4040L1125CU	PN4040L1125C	Main Lug	125	Copper
1	Indoor	P4040L1125CUW	PN4040L1125CW	Main Lug	125	Copper
1	Indoor	P4040L1200	PN4040L1200	Main Lug	200	Aluminum
1	Indoor	P4040L1200CU	PN4040L1200C	Main Lug	200	Copper
1	Indoor	P4040L1200CUSG	PN4040L1200C	Main Lug	200	Copper
1	Indoor	P4040L1200CUW	PN4040L1200CW	Main Lug	200	Copper
1	Indoor	P4040L1200SG	PN4040L1200	Main Lug	200	Aluminum
1	Indoor	P4060B1200S140	PN4060B1200S14	Main Breaker	200	Copper
1	Indoor	P4080B1200A	PN4060B1200	Main Breaker	200	Aluminum
1	Indoor	P4080B1200ACU	PN4060B1200C	Main Breaker	200	Copper
1	Indoor	P4080B1200ACUW	PN4060B1200CW	Main Breaker	200	Copper
1	Indoor	P4080B1200AW	PN4060B1200W	Main Breaker	200	Aluminum
1	Indoor	P4080L1125ACU	PN4040L1125C	Main Lug	125	Copper
1	Indoor	P4080L1125ACUW	PN4040L1125CW	Main Lug	125	Copper
1	Indoor	P4080L1200A	PN4040L1200	Main Lug	200	Aluminum
1	Indoor	P4080L1200ACU	PN4060L1200C	Main Lug	200	Copper
1	Indoor	P4080L1200ACUW	PN4060L1200CW	Main Lug	200	Copper
1	Indoor	P4080L1200AW	PN4040L1200W	Main Lug	200	Aluminum
1	Indoor	P4260B1225CU	PN4264B1225C	Main Breaker	225	Copper
1	Indoor	P4260B1225CUW	PN4264B1225CW	Main Breaker	225	Copper

# Load Centers

## Cross Reference

Phase	Enclosure	Legacy Catalog Number	New Catalog Number	Main	Amperage	Bus
1	Indoor	P4260L1225CU	PN4264L1225C	Main Lug	225	Copper
1	Indoor	P4260L1225CUSG	PN4264L1225C	Main Lug	225	Copper
1	Indoor	P4260L1225CUW	PN4264L1225CW	Main Lug	225	Copper
1	Indoor	P4280B1225ACU	PN4264B1225C	Main Breaker	225	Copper
1	Indoor	P4280B1225ACUW	PN4264B1225CW	Main Breaker	225	Copper
1	Indoor	P4280L1225ACU	PN4264L1225C	Main Lug	225	Copper
1	Indoor	P4280L1225ACUW	PN4264L1225CW	Main Lug	225	Copper
1	Indoor	P5470B1200CU	PN5482B1200C	Main Breaker	200	Copper
1	Indoor	P5470B1200CUW	PN5482B1200CW	Main Breaker	200	Copper
1	Indoor	P5470B1225CU	PN5482B1225C	Main Breaker	225	Copper
1	Indoor	P5470L1225CU	PN5482L1225C	Main Lug	225	Copper
1	Indoor	P5480B1200ACU	PN5482B1200C	Main Breaker	200	Copper
1	Indoor	P5480B1200ACUW	PN5482B1200CW	Main Breaker	200	Copper
1	Indoor	P5480B1225ACU	PN5482B1225C	Main Breaker	225	Copper
1	Indoor	P5480B1225ACUW	PN5482B1225CW	Main Breaker	225	Copper
1	Indoor	P5480L1225ACU	PN5482L1225C	Main Lug	225	Copper
1	Indoor	P5480L1225ACUW	PN5482L1225CW	Main Lug	225	Copper
1	Outdoor	PW0816B1150TC	PNW0816B1150TC	Main Breaker	150	Copper
1	Outdoor	PW0816B1200TC	PNW0816B1200TC	Main Breaker	200	Copper
1	Outdoor	PW0816L1200TC	PNW0816L1200TC	Main Lug	200	Copper
1	Outdoor	PW1212L1125CU	PNW1212L1125C	Main Lug	125	Copper
1	Outdoor	PW1224B1100CU	PNW1224B1100C	Main Breaker	100	Copper
1	Outdoor	PW1224L1125CU	PNW1224L1125C	Main Lug	125	Copper
1	Outdoor	PW1224L1200CU	PNW1224L1200C	Main Lug	200	Copper
1	Outdoor	PW1224L1225CU	PNW1224L1225C	Main Lug	225	Copper
1	Outdoor	PW1624B1100CU	PNW1632B1100C	Main Breaker	100	Copper
1	Outdoor	PW1624L1125CU	PNW1632L1125C	Main Lug	125	Copper
1	Outdoor	PW2020B1100CU	PNW2020B1100C	Main Breaker	100	Copper
1	Outdoor	PW2030B1150CU	PNW2040B1150C	Main Breaker	150	Copper
1	Outdoor	PW2030L1150CU	PNW2040L1150C	Main Lug	150	Copper
1	Outdoor	PW2040B1200CU	PNW2040B1200C	Main Breaker	200	Copper
1	Outdoor	PW2040L1200CU	PNW2040L1200C	Main Lug	200	Copper
1	Outdoor	PW3040B1100CU	PNW3048B1100C	Main Breaker	100	Copper
1	Outdoor	PW3040B1125CU	PNW3048B1125C	Main Breaker	125	Copper
1	Outdoor	PW3040B1150CU	PNW3048B1150C	Main Breaker	150	Copper
1	Outdoor	PW3040B1200CU	PNW3048B1200C	Main Breaker	200	Copper
1	Outdoor	PW3040L1125CU	PNW3048L1125C	Main Lug	125	Copper
1	Outdoor	PW3040L1200CU	PNW3048L1200C	Main Lug	200	Copper
1	Outdoor	PW3054L1200CU	PNW3048L1200C	Main Lug	200	Copper
1	Outdoor	PW4040B1200CU	PNW4040B1200C	Main Breaker	200	Copper
1	Outdoor	PW4040L1200CU	PNW4040L1200C	Main Lug	200	Copper

# Load Centers

## Cross Reference

Phase	Enclosure	Legacy Catalog Number	New Catalog Number	Main	Amperage	Bus
1	Outdoor	PW4260B1225CU	PNW4264B1225C	Main Breaker	225	Copper
1	Outdoor	PW4260L1225CU	PNW4264L1225C	Main Lug	225	Copper
1	Indoor	S1020B1100	SN1224B1100	Main Breaker	100	Aluminum
1	Indoor	S1212L1125	SN1212L1125	Main Lug	125	Aluminum
1	Indoor	S1224B1100	SN1224B1100	Main Breaker	100	Aluminum
1	Indoor	S1224L1125	SN1224L1125	Main Lug	125	Aluminum
1	Indoor	S1224L1200	SN1224L1200	Main Lug	200	Aluminum
1	Indoor	S1624B1100	SN1632B1100	Main Breaker	100	Aluminum
1	Indoor	S1624B1100W	SN1632B1100W	Main Breaker	100	Aluminum
1	Indoor	S1624B1125	SN1632B1125	Main Breaker	125	Aluminum
1	Indoor	S1624L1125	SN1632L1125	Main Lug	125	Aluminum
1	Indoor	S1630B1150	SN1632B1150	Main Breaker	150	Aluminum
1	Indoor	S1632B1200	SN1632B1200	Main Breaker	200	Aluminum
1	Indoor	S2020B1100	SN2020B1100	Main Breaker	100	Aluminum
1	Indoor	S2020B1100P	SN2020B1100P1	Main Breaker	100	Aluminum
1	Indoor	S2020L1125	SN2020L1125	Main Lug	125	Aluminum
1	Indoor	S2020L1125G	SN2020L1125	Main Lug	125	Aluminum
1	Indoor	S2020L1125GW	SN2020L1125W	Main Lug	125	Aluminum
1	Indoor	S2020L1125W	SN2020L1125W	Main Lug	125	Aluminum
1	Indoor	S2024B1100	SN2040B1100	Main Breaker	100	Aluminum
1	Indoor	S2024L1125	SN2040L1125	Main Lug	125	Aluminum
1	Indoor	S2024L1125G	SN2040L1125	Main Lug	125	Aluminum
1	Indoor	S2030B1150	SN2040B1150	Main Breaker	150	Aluminum
1	Indoor	S2030L1125SG	SN2040L1125	Main Lug	125	Aluminum
1	Indoor	S2030L1150	SN2040L1150	Main Lug	150	Aluminum
1	Indoor	S2030L1150W	SN2040L1150W	Main Lug	150	Aluminum
1	Indoor	S2040B1100A	SN2040B1100	Main Breaker	100	Aluminum
1	Indoor	S2040B1100AW	SN2040B1100W	Main Breaker	100	Aluminum
1	Indoor	S2040B1150A	SN2040B1150	Main Breaker	150	Aluminum
1	Indoor	S2040B1150AW	SN2040B1150W	Main Breaker	150	Aluminum
1	Indoor	S2040B1200	SN2040B1200	Main Breaker	200	Aluminum
1	Indoor	S2040B1200A	SN2040B1200	Main Breaker	200	Aluminum
1	Indoor	S2040B1200AW	SN2040B1200W	Main Breaker	200	Aluminum
1	Indoor	S2040C1200	SN2040C1200	Main Convertible	200	Aluminum
1	Indoor	S2040L1125AG	SN2040L1125	Main Lug	125	Aluminum
1	Indoor	S2040L1125AGW	SN2040L1125W	Main Lug	125	Aluminum
1	Indoor	S2040L1150AG	SN2040L1150	Main Lug	150	Aluminum
1	Indoor	S2040L1150AGW	SN2040L1150W	Main Lug	150	Aluminum
1	Indoor	S2040L1200	SN2040L1200	Main Lug	200	Aluminum
1	Indoor	S2040L1200AG	SN2040L1200	Main Lug	200	Aluminum
1	Indoor	S2040L1200AGW	SN2040L1200W	Main Lug	200	Aluminum

# Load Centers

## Cross Reference

Phase	Enclosure	Legacy Catalog Number	New Catalog Number	Main	Amperage	Bus
1	Indoor	S2424B1125	SN2424B1125	Main Breaker	125	Aluminum
1	Indoor	S2424B1125W	SN2424B1125W	Main Breaker	125	Aluminum
1	Indoor	S2424C1125	SN2424C1125	Main Convertible	125	Aluminum
1	Indoor	S2424L1125	SN2424L1125	Main Lug	125	Aluminum
1	Indoor	S2424L1125G	SN2424L1125	Main Lug	125	Aluminum
1	Indoor	S2424L1125GW	SN2424L1125W	Main Lug	125	Aluminum
1	Indoor	S2424L1125W	SN2424L1125W	Main Lug	125	Aluminum
1	Indoor	S2430B1150	SN2448B1150	Main Breaker	150	Aluminum
1	Indoor	S2440B1200	SN2448B1200	Main Breaker	200	Aluminum
1	Indoor	S2440L1125	SN2448L1125	Main Lug	125	Aluminum
1	Indoor	S2440L1125G	SN2448L1125	Main Lug	125	Aluminum
1	Indoor	S2440L1200	SN2448L1200	Main Lug	200	Aluminum
1	Indoor	S2440L1200W	SN2448L1200W	Main Lug	200	Aluminum
1	Indoor	S2448B1125A	SN2424B1125	Main Breaker	125	Aluminum
1	Indoor	S2448B1125AW	SN2424B1125W	Main Breaker	125	Aluminum
1	Indoor	S2448B1150A	SN2448B1150	Main Breaker	150	Aluminum
1	Indoor	S2448B1150AW	SN2448B1150W	Main Breaker	150	Aluminum
1	Indoor	S2448B1200A	SN2448B1200	Main Breaker	200	Aluminum
1	Indoor	S2448B1200AW	SN2448B1200W	Main Breaker	200	Aluminum
1	Indoor	S2448L1125AG	SN2448L1125	Main Lug	125	Aluminum
1	Indoor	S2448L1125AGW	SN2448L1125W	Main Lug	125	Aluminum
1	Indoor	S2448L1200AG	SN2448L1200	Main Lug	200	Aluminum
1	Indoor	S2448L1200AGW	SN2448L1200W	Main Lug	200	Aluminum
1	Indoor	S3030B1100	SN3030B1100	Main Breaker	100	Aluminum
1	Indoor	S3030B1100W	SN3030B1100W	Main Breaker	100	Aluminum
1	Indoor	S3030B1125	SN3030B1125	Main Breaker	125	Aluminum
1	Indoor	S3030B1125W	SN3030B1125W	Main Breaker	125	Aluminum
1	Indoor	S3030B1150	SN3030B1150	Main Breaker	150	Aluminum
1	Indoor	S3030B1150SG	SN3030B1150	Main Breaker	150	Aluminum
1	Indoor	S3030B1150W	SN3030B1150W	Main Breaker	150	Aluminum
1	Indoor	S3030L1200	SN3030L1200	Main Lug	200	Aluminum
1	Indoor	S3030L1200W	SN3030L1200W	Main Lug	200	Aluminum
1	Indoor	S3040B1125	SN3048B1125	Main Breaker	125	Aluminum
1	Indoor	S3040B1150	SN3048B1150	Main Breaker	150	Aluminum
1	Indoor	S3040B1200	SN3048B1200	Main Breaker	200	Aluminum
1	Indoor	S3040B1200P	SN3048B1200P1	Main Breaker	200	Aluminum
1	Indoor	S3040B1200W	SN3048B1200W	Main Breaker	200	Aluminum
1	Indoor	S3040C1200	SN3048C1200	Main Convertible	200	Aluminum
1	Indoor	S3040L1125	SN3048L1125	Main Lug	125	Aluminum
1	Indoor	S3040L1125G	SN3048L1125	Main Lug	125	Aluminum
1	Indoor	S3040L1125GW	SN3048L1125W	Main Lug	125	Aluminum
1	Indoor	S3040L1125W	SN3048L1125W	Main Lug	125	Aluminum

# Load Centers

## Cross Reference

Phase	Enclosure	Legacy Catalog Number	New Catalog Number	Main	Amperage	Bus
1	Indoor	S3040L1200	SN3048L1200	Main Lug	200	Aluminum
1	Indoor	S3040L1200L50	SN3048L1200L50	Main Lug	200	Aluminum
1	Indoor	S3040L1200L50W	SN3048L1200L50W	Main Lug	200	Aluminum
1	Indoor	S3040L1200P	SN3048B1200P1	Main Lug	200	Aluminum
1	Indoor	S3040L1200W	SN3048L1200W	Main Lug	200	Aluminum
1	Indoor	S3054B1200P	SN3048B1200P1	Main Breaker	200	Aluminum
1	Indoor	S3054B1200S060	SN3048B1200S06	Main Breaker	200	Aluminum
1	Indoor	S3054L1200	SN3048L1200	Main Lug	200	Aluminum
1	Indoor	S3060B1100A	SN3048B1100	Main Breaker	100	Aluminum
1	Indoor	S3060B1100AW	SN3048B1100W	Main Breaker	100	Aluminum
1	Indoor	S3060B1125A	SN3048B1125	Main Breaker	125	Aluminum
1	Indoor	S3060B1125AW	SN3048B1125W	Main Breaker	125	Aluminum
1	Indoor	S3060B1150A	SN3048B1150	Main Breaker	150	Aluminum
1	Indoor	S3060B1150AW	SN3048B1150W	Main Breaker	150	Aluminum
1	Indoor	S3060B1200A	SN3048B1200	Main Breaker	200	Aluminum
1	Indoor	S3060B1200AW	SN3048B1200W	Main Breaker	200	Aluminum
1	Indoor	S3060L1125AG	SN3048L1125	Main Lug	125	Aluminum
1	Indoor	S3060L1125AGW	SN3048L1125W	Main Lug	125	Aluminum
1	Indoor	S3060L1200AG	SN3048L1200	Main Lug	200	Aluminum
1	Indoor	S3060L1200AGW	SN3048L1200W	Main Lug	200	Aluminum
1	Indoor	S4040B1200	SN4040B1200	Main Breaker	200	Aluminum
1	Indoor	S4040B1200P	SN4040B1200P1	Main Breaker	200	Aluminum
1	Indoor	S4040B1200SG	SN4040B1200	Main Breaker	200	Aluminum
1	Indoor	S4040B1200W	SN4040B1200W	Main Breaker	200	Aluminum
1	Indoor	S4040C1200	SN4040C1200	Main Convertible	200	Aluminum
1	Indoor	S4040L1125	SN4040L1125	Main Lug	125	Aluminum
1	Indoor	S4040L1200	SN4040L1200	Main Lug	200	Aluminum
1	Indoor	S4040L1200W	SN4040L1200W	Main Lug	200	Aluminum
1	Indoor	S4060B1200S060	SN4060B1200S06	Main Breaker	200	Aluminum
1	Indoor	S4080B1200A	SN4060B1200	Main Breaker	200	Aluminum
1	Indoor	S4080B1200AW	SN4060B1200W	Main Breaker	200	Aluminum
1	Indoor	S4080L1125AG	SN4040L1125	Main Lug	125	Aluminum
1	Indoor	S4080L1125AGW	SN4040L1125W	Main Lug	125	Aluminum
1	Indoor	S4080L1200AG	SN4040L1200	Main Lug	200	Aluminum
1	Indoor	S4080L1200AGW	SN4040L1200W	Main Lug	200	Aluminum
1	Indoor	S4260B1200	SN4264B1200	Main Breaker	200	Aluminum
1	Indoor	S4260B1225	SN4264B1225	Main Breaker	225	Aluminum
1	Indoor	S4260L1225	SN4264L1225	Main Lug	225	Aluminum
1	Indoor	S4280B1225A	SN4264B1225	Main Breaker	225	Aluminum
1	Indoor	S4280B1225AW	SN4264B1225W	Main Breaker	225	Aluminum
1	Indoor	S4280L1225AG	SN4264L1225	Main Lug	225	Aluminum
1	Indoor	S4280L1225AGW	SN4264L1225W	Main Lug	225	Aluminum

# Load Centers

## Cross Reference

Phase	Enclosure	Legacy Catalog Number	New Catalog Number	Main	Amperage	Bus
1	Indoor	S5470B1200	SN5482B1200	Main Breaker	200	Aluminum
1	Indoor	S5470B1225	SN5482B1225	Main Breaker	225	Aluminum
1	Indoor	S5470L1225	SN5482L1225	Main Lug	225	Aluminum
1	Indoor	S5480B1200A	SN5482B1200	Main Breaker	200	Aluminum
1	Indoor	S5480B1200AW	SN5482B1200W	Main Breaker	200	Aluminum
1	Indoor	S5480B1225A	SN5482B1225	Main Breaker	225	Aluminum
1	Indoor	S5480B1225AW	SN5482B1225W	Main Breaker	225	Aluminum
1	Indoor	S5480L1225AG	SN5482L1225	Main Lug	225	Aluminum
1	Indoor	S5480L1225AGW	SN5482L1225W	Main Lug	225	Aluminum
1	Outdoor	SW0816B1200T	SNW0816B1200T	Main Breaker	200	Aluminum
1	Outdoor	SW0816L1200T	SNW0816L1200T	Main Lug	200	Aluminum
1	Outdoor	SW1212L1125	SNW1212L1125	Main Lug	125	Aluminum
1	Outdoor	SW1224B1100	SNW1224B1100	Main Breaker	100	Aluminum
1	Outdoor	SW1224B1125	SNW1224B1125	Main Breaker	125	Aluminum
1	Outdoor	SW1224L1125	SNW1224L1125	Main Lug	125	Aluminum
1	Outdoor	SW1224L1200	SNW1224L1200	Main Lug	200	Aluminum
1	Outdoor	SW1224L1225	SNW1224L1225	Main Lug	225	Aluminum
1	Outdoor	SW1624B1100	SNW1632B1100	Main Breaker	100	Aluminum
1	Outdoor	SW1624L1125	SNW1632L1125	Main Lug	125	Aluminum
1	Outdoor	SW2020B1100	SNW2020B1100	Main Breaker	100	Aluminum
1	Outdoor	SW2024B1125	SNW2040B1125	Main Breaker	125	Aluminum
1	Outdoor	SW2030L1150	SNW2040L1150	Main Lug	150	Aluminum
1	Outdoor	SW2040B1200	SNW2040B1200	Main Breaker	200	Aluminum
1	Outdoor	SW2040C1200	SNW2040C1200	Main Convertible	200	Aluminum
1	Outdoor	SW2040L1200	SNW2040L1200	Main Lug	200	Aluminum
1	Outdoor	SW2424B1125	SNW2424B1125	Main Breaker	125	Aluminum
1	Outdoor	SW2424C1125	SNW2424C1125	Main Convertible	125	Aluminum
1	Outdoor	SW2424L1125	SNW2424L1125	Main Lug	125	Aluminum
1	Outdoor	SW3040B1125	SNW3048B1125	Main Breaker	125	Aluminum
1	Outdoor	SW3040B1150	SNW3048B1150	Main Breaker	150	Aluminum
1	Outdoor	SW3040B1200	SNW3048B1200	Main Breaker	200	Aluminum
1	Outdoor	SW3040C1200	SNW3048C1200	Main Convertible	200	Aluminum
1	Outdoor	SW3040L1125	SNW3048L1125	Main Lug	125	Aluminum
1	Outdoor	SW3040L1200	SNW3048L1200	Main Lug	200	Aluminum
1	Outdoor	SW3054L1200	SNW3048L1200	Main Lug	200	Aluminum
1	Outdoor	SW4040B1150	SNW4040B1150	Main Breaker	150	Aluminum
1	Outdoor	SW4040B1200	SNW4040B1200	Main Breaker	200	Aluminum
1	Outdoor	SW4040C1200	SNW4040C1200	Main Convertible	200	Aluminum
1	Outdoor	SW4040L1200	SNW4040L1200	Main Lug	200	Aluminum
1	Outdoor	SW4260B1225	SNW4264B1225	Main Breaker	225	Aluminum
1	Outdoor	SW4260L1225	SNW4264L1225	Main Lug	225	Aluminum

# Circuit Breakers

## Arc-Fault and Ground-Fault Breakers

## Selection

### Arc-Fault Circuit Interrupters (AFCI)

AFCI's are designed to detect arcing faults (an unintentional arcing condition in a circuit) and mitigate the effects by functioning to de-energize the circuit when an arc-fault is detected.

#### Combination Type AFCI

Detects all three possible types of arc faults: line-to-ground, line-to-neutral and series arcs.

Breaker Type	Amp Rating	10,000 A IR Catalog No.	22,000 A IR Catalog No.	65,000 A IR Catalog No.
<b>QAF2/QAFH2/HQAF2</b> 1-Pole 120V AC	15 20	QA115AFC QA120AFC	QA115AFCH QA120AFCH	QA115AFCHH■ QA120AFCHH■
<b>QAF/QAFH</b> 2-Pole 120/240V AC	15 20	Q215AFC Q220AFC	Q215AFCH■ Q220AFCH■	— —
<b>QTA</b> Tandem 120V AC	15/15 20/20	Q1515AFC Q2020AFC	— —	— —
<b>QAF2N</b> Plug-on Neutral / 1-Pole 120V AC	15 20	QA115AFCN QA120AFCN	— —	— —
<b>QAFN</b> Plug-on Neutral / 2-Pole 120/240V AC	15 20	Q215AFCN Q220AFCN	— —	— —
<b>QTAN</b> Plug-on Neutral / Tandem 120V AC	15/15 20/20	Q1515AFCN Q2020AFCN	— —	— —

#### Dual Function (AFCI/GFCI)

The Dual Function Circuit Breaker combines Combination Type AFCI and 5mA Class A GFCI protection in one device.

Breaker Type	Amp Rating	10kAIC Catalog No.	22kAIC Catalog No.	65kAIC Catalog No.
<b>QFGA2/QFGAH2/HQFGA2</b> 1-Pole 120V AC	15 20	Q115DF Q120DF	Q115DFH Q120DFH	Q115DFHH■ Q120DFHH■
<b>QFGA2N</b> Plug-on Neutral / 1-Pole 120V AC	15 20	Q115DFN Q120DFN	— —	— —



1-Pole Combination Type AFCI



2-Pole Combination Type AFCI



1-Pole Dual Function AFCI/GFCI



1-pole Tandem Type AFCI



1-Pole AFCI Plug-on Neutral



1-Pole Dual Function Plug-on Neutral

### Ground-Fault Circuit Interrupters (GFCI)

**Class A (5mA) Ground Fault Protection** Intended for personnel protection.

Breaker Type	Amp Rating	10kAIC Catalog No.	22kAIC Catalog No.	65kAIC Catalog No.
<b>QPF2/QPHF2/HQPF2</b> 1-Pole 120V AC	15 20 30	QF115A QF120A QF130A	QF115AH QF120AH QF130AH	QF115AHH■ QF120AHH■ QF130AHH■
<b>QPF2N</b> 1-Pole 120V AC Plug-On Neutral	15 20 30	QF115AN QF120AN QF130AN	— — —	— — —
<b>QPFB/QPHFB/HQPFB</b> 2-Pole 120/240V AC	15 20 25 30	Q215GF Q220GF Q225GF Q230GF	Q215GFH■ Q220GFH■ — Q230GFH■	Q215GFHH■ Q220GFHH■ — Q230GFHH■
<b>QPF/QPHF</b> 2-Pole 120/240V AC	35 40 45 50 60	QF235A QF240A QF245A QF250A QF260A	— QF240AH■ — QF250AH■ QF260AH■	— — — — —
<b>QPFBN</b> 2-Pole 120/240V AC Plug-On Neutral	15 20 30	Q215GFN Q220GFN Q230GFN	— — —	— — —



1-Pole GFCI



2-Pole GFCI



1-Pole Equipment Protection



2-Pole Equipment Protection

**Ground-Fault Equipment Protection (30mA)** Intended for equipment protection.

Breaker Type	Amp Rating	10kAIC Catalog No.	22kAIC Catalog No.	65kAIC Catalog No.
<b>QE2/QEH2</b> 1-Pole 120V AC	15 20 30	QE115 QE120 QE130	QE115H QE120H QE130H	— — —
<b>QEB/QEHB/HQEB</b> 2-Pole 120/240V AC	15 20 30	Q215EG Q220EG Q230EG	Q215EGH Q220EGH Q230EGH	Q215EGHH■ Q220EGHH■ Q230EGHH■
<b>QE/QEH</b> 2-Pole 120/240V AC	40 50 60	QE240 QE250 QE260	QE240H QE250H QE260H	— — —

■ Built to order. Allow 8 -10 weeks for delivery.

### Accessories

Description	Catalog No.
Padlocking Device 1-Pole	ECPLD1
Padlocking Device 2-Pole	ECPLD2
Handle Block	ECBX231M

LOAD CENTERS & CIRCUIT BREAKERS

# Circuit Breakers

Intelli-Arc® Diagnostic Tool **NEW**

Selection

## Advanced Technology for Residential Arc and Ground Fault Diagnostics

The Intelli-arc Diagnostic Tool is used to identify the source of Arc Fault and Ground fault trips in the home. After installing the Intelli-arc in a load center or plugging it into a circuit receptacle, a mobile app connected to the Intelli-arc will show and record real time data to help identify faults on the circuit and around the home.

### Advanced solution at your fingertips

- Find the solution to your arc faults, ground faults, overcurrent faults.
- Ensure the safety of appliances and loads.

### Easy-to-use mobile app

- Analyze circuits on an easy-to-read dashboard on your mobile phone.
- Measure peak, RMS, and leakage current, RMS voltage, and other features for GFCI and AFCI breakers.

### Advanced level of available information

- For complex troubleshooting, see detailed waveforms of voltage, current, and high frequency noise, with the ability to share waveforms with technical support.

### Durability

- Robust, safe product with power cord and receptacle option for use at any home receptacle.
- Cables for electrician to use at the load center

## Intelli-Arc Mobile App

The mobile app makes it easier for qualified personnel to determine the cause of unwanted tripping. The app offers:

- User-friendly interface for easy navigation
- Dynamic live monitoring of current and voltage
- Real-time analytics directly on your smartphone
- Data logging

### Easy-to-use Dashboard

- Live diagnostics in real-time
- Indicators to direct user to source of faults

### Live Diagnostics

- Diagnose in real-time using your Android or Apple device
- Check a circuit's current and voltage level

### Precise data for troubleshooting

- See detailed waveforms of voltage, current, and high frequency noise

### Save and Share Data

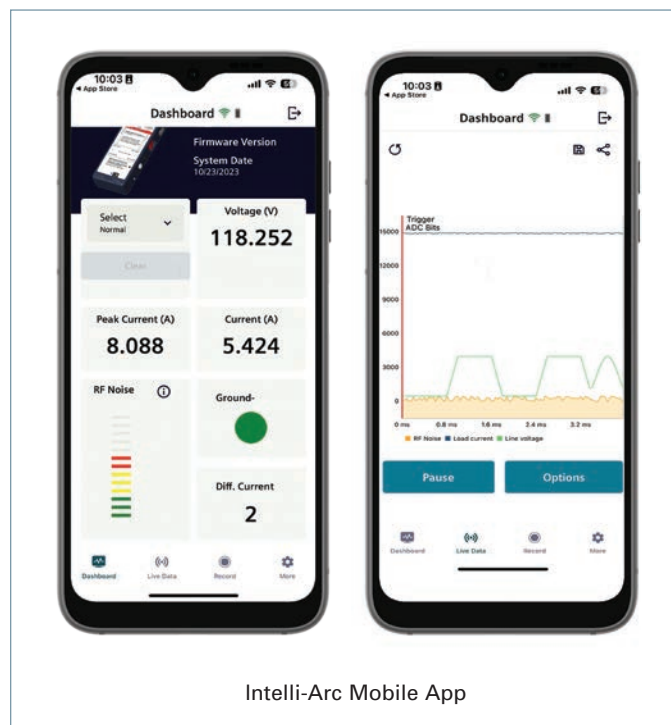
- Save and share the data being received from the Intelli-Arc.



Intelli-Arc Diagnostic Tool

## Ordering Information

Description	Catalog No.
Intelli-Arc Diagnostic Tool Kit: Includes base unit, power cord, 4 banana cords, carrying case.	IDT6000



Intelli-Arc Mobile App

# Circuit Breakers

## Type QP with INSTA-WIRE

Continuous Current Rating @ 40° C	Type QP <sup>①</sup>	Type QPH	Type HQP
	10,000A IR	22,000A IR	65,000A IR
	Catalog Number	Catalog Number	Catalog Number

### 1-Pole Plug-In (120/240V AC)<sup>②</sup>

Rating	Type QP	Type QPH	Type HQP
10	Q110 <sup>③</sup>	—	—
15	Q115 <sup>④</sup>	Q115H <sup>④</sup>	Q115HH <sup>④</sup>
20	Q120 <sup>④</sup>	Q120H <sup>④</sup>	Q120HH <sup>④</sup>
25	Q125	Q125H■	Q125HH■
30	Q130	Q130H	Q130HH■
35	Q135■	Q135H■	Q135HH■
40	Q140	Q140H	Q140HH■
45	Q145■	Q145H■	Q145HH■
50	Q150	Q150H	Q150HH■
60	Q160	Q160H■	Q160HH■
70	Q170	Q170H■	Q170HH■

### 2-Pole Plug-In (Common-Trip 120/240V AC)<sup>⑤</sup>

Rating	Type QP	Type QPH	Type HQP
10	Q210 <sup>③</sup>	—	—
15	Q215	Q215H	Q215HH
20	Q220	Q220H	Q220HH
25	Q225	Q225H■	Q225HH■
30	Q230	Q230H	Q230HH
35	Q235	Q235H■	Q235HH■
40	Q240	Q240H	Q240HH■
45	Q245	Q245H■	Q245HH■
50	Q250	Q250H	Q250HH
60	Q260	Q260H	Q260HH
70	Q270	Q270H	Q270HH
80	Q280	Q280H■	Q280HH■
90	Q290	Q290H	Q290HH■
100	Q2100	Q2100H	Q2100HH
110	Q2110	Q2110H	Q2110HH■
125	Q2125	Q2125H	Q2125HH

### 2-Pole Plug-In (Common-Trip 240V AC)<sup>⑤⑥</sup>

Rating	Type QP	Type QPH	Type HQP
15	Q215R	—	—
20	Q220R	—	—
30	Q230R	—	—
40	Q240R	—	—
50	Q250R	—	—

### 3-Pole Plug-In (Common-Trip 240V AC)<sup>⑦</sup>

Rating	Type QP	Type QPH	Type HQP
15	Q315	Q315H	Q315HH■
20	Q320	Q320H	Q320HH
25	Q325	Q325H■	Q325HH■
30	Q330	Q330H	Q330HH
35	Q335	Q335H■	Q335HH■
40	Q340	Q340H	Q340HH
45	Q345	Q345H■	Q345HH■
50	Q350	Q350H	Q350HH
60	Q360	Q360H	Q360HH
70	Q370	Q370H	Q370HH■
80	Q380	Q380H	Q380HH■
90	Q390	Q390H	Q390HH■
100	Q3100	Q3100H	Q3100HH



## QP / QPH / HQP Internal Accessories

Control Voltage AC	Catalog Number	Field/Factory Installed
120V Shunt Trip	add suffix ...00S01■	Factory
24V Shunt Trip	add suffix ...00S07■	Factory
120V Auxiliary Switch	add suffix ...01■ <sup>⑧</sup>	Factory

For external accessories please refer to page 1-52.

■ Built to order. Allow 2-3 weeks for delivery.

① UL Listed for use with 60/75° wire through 40 amps, UL listed for use with 75° wire only for 50 amps and above, HACR rated.

② Shipped 12 per sleeve.

③ Type QP1, UL listed for 16 AWG conductors and multiple wires.

④ UL Listed for use on 3-phase grounded "B" systems — 10,000 for this application.

⑤ Shipped 6 per sleeve.

⑥ UL Listed for frequent switching applications (SWD). 120V AC Fluorescent Lighting.

⑦ Shipped 4 per sleeve.

⑧ 1A and 1B contacts.

# Circuit Breakers

## Duplex, Triplex and Quadplex Plug-In Breakers

### Duplex Circuit Breakers

Breaker Type	Ampere Rating	Catalog Number	Catalog Number
<b>QT</b> 1-Pole 10K AIC 120V AC	15-15	<b>Q1515</b>	<b>Q1515NC</b> ①
	15-20	<b>Q1520</b>	<b>Q1520NC</b> ①
	20-20	<b>Q2020</b>	<b>Q2020NC</b> ①
	20-30	<b>Q2030</b>	—
	30-15■	<b>Q3015</b>	—
	30-20	<b>Q3020</b>	—
	30-30	<b>Q3030</b>	<b>Q3030NC</b> ①
SHIPPING: 12 per carton, (Wt. 4.8 lbs.)			

### Triplex Circuit Breakers

Breaker Type	Ampere Rating		Catalog Number
	Single Pole	Common-Trip 2-Pole	
<b>QT</b> 2-Pole 10K AIC 120/240V AC Inner Poles Common Trip	15	15	<b>Q21515CT</b>
	15	20	<b>Q21520CT</b>
	15	25	<b>Q21525CT</b> ■
	15	30	<b>Q21530CT</b>
	15	35	<b>Q21535CT</b> ■
	15	40	<b>Q21540CT</b>
	15	45	<b>Q21545CT</b> ■
	15	50	<b>Q21550CT</b>
	20	20	<b>Q22020CT</b>
	20	25	<b>Q22025CT</b> ■
	20	30	<b>Q22030CT</b>
	20	35	<b>Q22035CT</b> ■
	20	40	<b>Q22040CT</b>
	20	45	<b>Q22045CT</b> ■
	20	50	<b>Q22050CT</b>
	30	30	<b>Q23030CT</b>
	SHIPPING: 6 per carton, (Wt. 4.9 lbs.)		


### Quadplex Circuit Breakers

Breaker Type	Ampere Rating		Catalog Number
	Common-Trip 2-Pole Outside	Common-Trip 2-Pole Inside	
<b>QT</b> 2-Pole 10K AIC 120/240V AC Inner and Outer 2 Poles Common Trip	15	15	<b>Q21515CT2</b>
	15	30	<b>Q21530CT2</b>
	20	20	<b>Q22020CT2</b>
	20	50	<b>Q22050CT2</b>
	30	20	<b>Q23020CT2</b>
	30	25	<b>Q23025CT2</b>
	30	30	<b>Q23030CT2</b>
	30	40	<b>Q23040CT2</b>
	30	50	<b>Q23050CT2</b>
	40	20	<b>Q24020CT2</b>
	40	30	<b>Q24030CT2</b>
	40	40	<b>Q24040CT2</b>
	SHIPPING: 6 per carton, (Wt. 4.8 lbs.)		

For inches / millimeters conversion, see Application Data section.

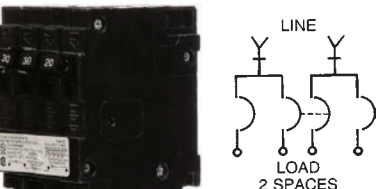
■ Built to order. Allow 2-3 weeks for delivery.

① Non-CTL. For replacement use only in panels manufactured before 1968



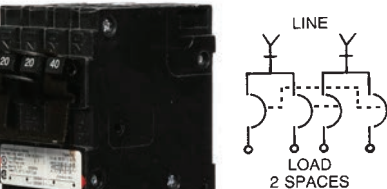
**QT Duplex**

These space saver duplex breakers combine two independent 1/2" breaker poles in a common unit. This unit plugs into one load center stab and requires one panel space. HACR rated.



**QT Triplex**

These space saver triplex breakers provide a 2-pole common trip breaker for 120/240V AC circuits and two single poles for 120V AC circuits. Triplex require two panel spaces. HACR rated.



**QT Quadplex**

These space saver quadplex breakers provide two sets of common trip, two-pole breakers for 120/240V AC circuits, and require two panel spaces. HACR rated.

For external accessories, please refer to page 1-52.

# Circuit Breakers

## Special Application Breakers

### HID Lighting

For high-intensity discharge lamp loads having in-rush currents above the instantaneous trip setting of a standard breaker.

Breaker Type	Wiring Diagram	Complete Breaker UL Unenclosed	
		Ampere Rating	Catalog Number
<b>QP</b> 1-Pole 120V AC	Figure 1	15	Q115HID <sup>①</sup> ■
		20	Q120HID <sup>①</sup>
		30	Q130HID
<b>QP</b> 2-Pole 120/240V AC	Figure 2	15	Q215HID
		20	Q220HID ■
		30	Q230HID ■

### Molded Case Switch

For applications that do not require overcurrent protection.

<b>QP</b> 1-Pole 120V AC	Figure 1	100	Q1100S
<b>QP</b> 2-Pole 120/240V AC	Figure 2	30	Q230S
		50	Q250S
		60	Q260S
		125	Q2125S

### No-Noise

For applications that require a reduction in the 60-cycle hum of a standard breaker.

<b>QP</b> 2-Pole 120/240V AC	Figure 2	50	Q250NN ■
		60	Q260NN

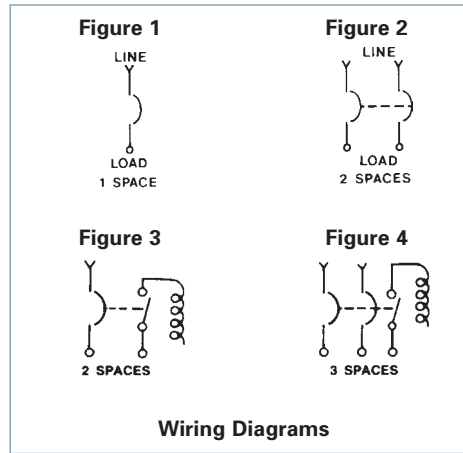
### Switching Neutrals

Used where all conductors are required to be disconnected. Neutral pole of the circuit breaker does not connect to load center bus. One side is wired to neutral and the other side to the device.

<b>QG</b> 2-Wire Common Trip 120V AC	Figure 3	15	QG215
		20	QG220
<b>QG</b> 3-Wire Common Trip 120/240V AC	Figure 4	20	QG320



Switching Neutral



Wiring Diagrams

■ Built to order. Allow 2–3 weeks for delivery.  
Note: All circuit breakers on this page are 10K AIC

① UL Listed as SWD (Switching Duty) Rated, suitable for 120V AC Fluorescent Lighting.

# Circuit Breakers

## 3/4 Inch Plug-In Breakers

### Features

- 3/4" format
- HACR Rated
- UL Classified for use in certain Square D load centers

### Type QD Circuit Breakers

The Type QD circuit breaker line is available in 1-pole and 2-pole common trip versions listed on this page.

The circuit breakers are UL Classified and UL Listed.

All QD breakers are supplied with load side connectors suitable for 60/75°C wire and are calibrated for 40°C maximum ambient applications.

### UL Classified

Siemens Type QD circuit breakers are UL Classified for use in specific Square D load centers in place of Square D Type QO® circuit breakers. A Panelboard Compatibility List packaged with each QD breaker shows which type QD circuit breakers are acceptable for use in Square D load centers.

The interrupting rating on these circuit breakers is 10,000A IR maximum and they are **not** series rated with Square D circuit breakers or equipment. This UL Classification allows a Siemens Type QD circuit breaker to be used in place of a Square D Type QO circuit breaker in those load centers that are specifically shown on the Panelboard Compatibility list. For additional information, contact your local Siemens sales engineer.



D120



D220

Continuous Current Rating @ 40°C	1-Pole	2-Pole
	120V	120/240V Common Trip
	Catalog Number	Catalog Number
15	D115 <sup>①</sup>	D215
20	D120 <sup>①</sup>	D220
30	D130	D230
40	D140	D240
50	D150	D250
60	D160	D260

### Shipping Weights

Number of Poles	Number Per Carton	Shipping Weight (lbs.)
1	16	3.8
2	8	4.2

### Panelboard Compatibility List

#### Listed Panelboards—Square D—Catalog Numbers

QO2L30F/S	QO12M100/RB	QO120-30M150/RB	QO130-40M200
QO2-4L70F/S	QO16-20M100/RB	QO124L150G	QO130M200/RB
QO2-4L70TS	QO16M100/RB	QO124M150	QO130-40L200G/RB
QO2-4L70RB	QO20M100/RB	QO130L150G/RB	QO140M200/RB
QO6-12L100F/S	QO112L125G/RB	QO130M150/RB	QO16L200/RB
QO6-12L100DF/S	QO112-24L125G/RB	QO16L150/RB	QO16M200/RB
QO6-12L100TF/S	QO112-24L125GWGC	QO16M150/RB	QO18-16M200FTRB
QO6-12L100DTF/S	QO116L125G	QO16-30L150/RB	QO20-40L200/RB
QO6-12L100RB	QO116-24L125G/RB	QO18-16M150FTRB	QO20-40M200TF/S
QO8-16L100F/S	QO12-24L125/RB	QO20-30M150/RB	QO20-40M200/RB
QO8-16L100DF/S	QO120-24L125G	QO20-30M150TF/S	QO24L200/RB
QO8-16L100TF/S	QO120-24L125GWGC	QO20-30L150	QO24M200/RB
QO8-16L100DTF/S	QO120L125G	QO24L150/RB	QO30L200/RB
QO8-16L100RB	QO124L125G/RB	QO24M150/RB	QO30M200/RB
QO112M100/RB	QO124M125/RB	QO30L150/RB	QO30-40L200/RB
QO116M100/RB	QO16L125/RB	QO30M150/RB	QO30-40M200/RB
QO120M100/RB	QO16-12M125FTRB	QO8-16M200FT/RB	QO40M200/RB
QO124M100	QO16-24L125/RB	QO112L200G/RB	QO140M225
QO12L100DF/S	QO20L125/RB	QO120-40M200/RB	QO142L225G/RB
QO12L100RB	QO20-24L125/RB	QO120-40M200TC	
QO12-20M100/RB	QO24L125/RB	QO124M200	
QO12-20M100TF/S	QO120-30L150G	QO130L200G/RB	

For inches / millimeters conversion, see Application Data section.

① UL Listed for frequent switching applications (SWD). 120V AC Fluorescent Lighting. One or two load conductors.

# Circuit Breakers

## Main and Branch Circuit Breakers<sup>①</sup>

Breaker Type	Ampere Rating	Catalog Number	Catalog Number	UL Interrupting Ratings (kA)
<b>QN</b> 2-Pole 120/240V AC	150	QN2150	QN2150R <sup>②</sup>	10
	175	QN2175■	QN2175R <sup>②</sup> ■	10
	200	QN2200	QN2200R <sup>②</sup>	10
	225	QN2225	QN2225R <sup>②</sup>	10
<b>QNH</b> 2-Pole 120/240V AC	150	QN2150H	QN2150RH <sup>②</sup>	22
	175	QN2175H■	QN2175RH <sup>②</sup> ■	22
	200	QN2200H	QN2200RH <sup>②</sup>	22
	225	QN2225H	QN2225RH <sup>②</sup>	22
<b>HQN</b> 2-Pole 120/240V AC	150	HQN2150	HQN2150R <sup>②</sup>	65
	175	HQN2175■	—	65
	200	HQN2200	HQN2200R <sup>②</sup>	65
	225	HQN2225	HQN2225R <sup>②</sup>	65

Requires 4 panel spaces, 2 adjacent and 2 opposite. **SHIPPING:** 1 per carton (Wt. 3 lbs.)

### Main Breaker Kits

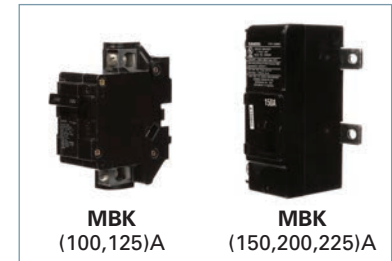
For use in PL, ES, and Ult Load Centers <sup>④</sup>			For use in EQIII Load Centers			
UL Type	Ampere Rating	Catalog Number	UL Type	Ampere Rating	Catalog Number	UL Interrupting Ratings (kA)
EQ8681	100	MBK100A	EQ9675	100	MBK100	22
EQ8682	125	MBK125A	EQ9677	125	MBK125	22
EQ8693	150	MBK150A	EQ9683	150	MBK150	22
—	—	—	EQ9684	175	MBK175■	22
EQ8695	200	MBK200A	EQ9685	200	MBK200	22
EQ8696	225	MBK225A	EQ9686	225	MBK225	22

Breaker Type	Ampere Rating	Catalog Number	UL Interrupting Ratings (kA)
<b>QPJ</b> <sup>③</sup> 3-Pole 240V AC	125	QPJ3125	10
	150	QPJ3150	10
	200	QPJ3200	10

Requires 6 spaces due to cross over design. Fits only EQIII 125-400A 3-phase load centers

**SHIPPING:** 5 per carton (Wt. 17 lbs.)

Breaker Type	Ampere Rating	Catalog Number	UL Interrupting Breaker Ratings (kA) Volts AC 120/240
<b>HQPH</b> 2-Pole, 120/240V AC	100	HQ2100H	100
	125	HQ2125H	100



LOAD CENTERS & CIRCUIT BREAKERS

For inches / millimeters conversion, see Application Data section.

■ Built to order. Allow 2-3 weeks for delivery.

① All circuit breakers on this page are common trip.

② Reverse handle.

③ CSA Listed.

④ MBK100A for use in 100 and 125A load centers.

MBK125A for use in 125A load centers.

MBK150A for use in 150, 200 and 225A load centers.

MBK200A for use in 200 and 225A load centers.

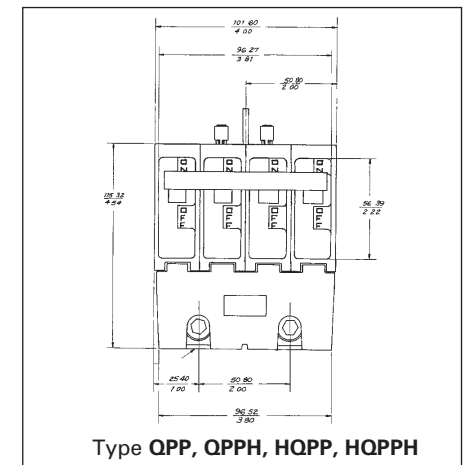
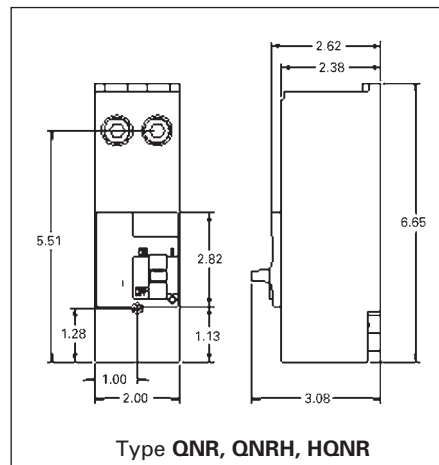
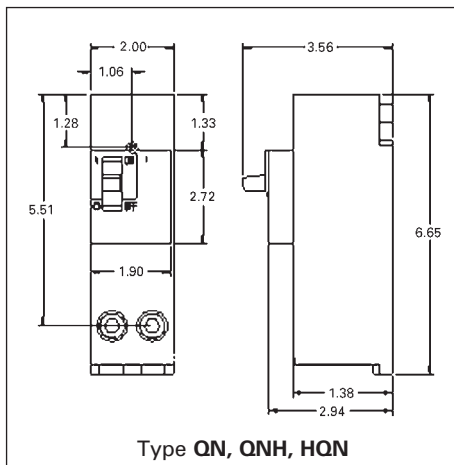
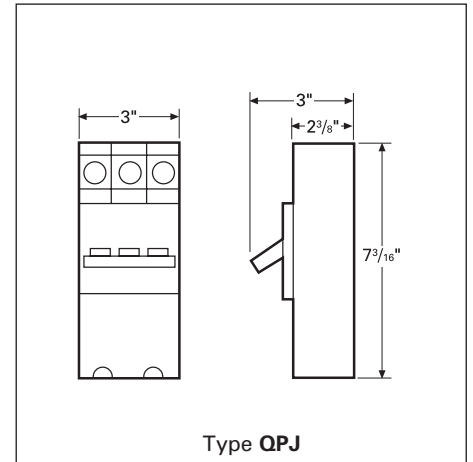
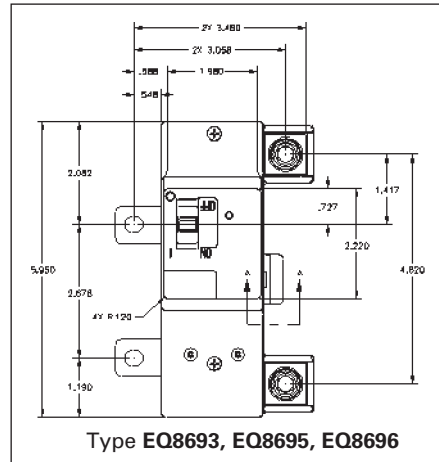
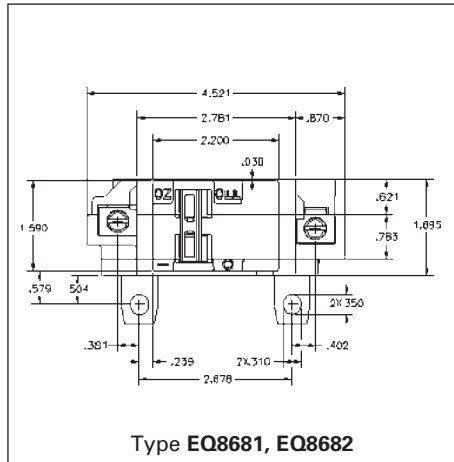
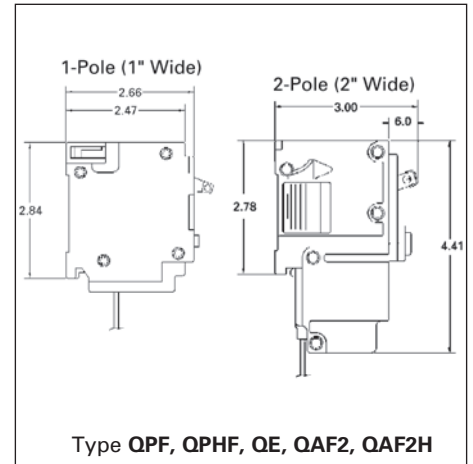
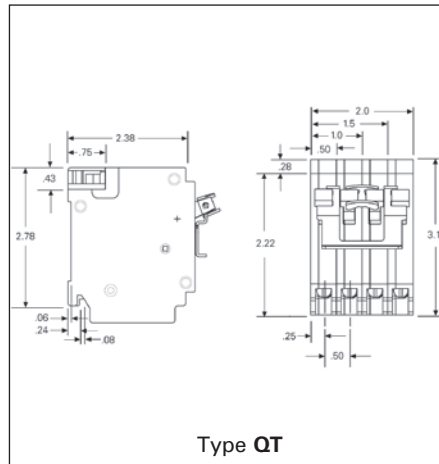
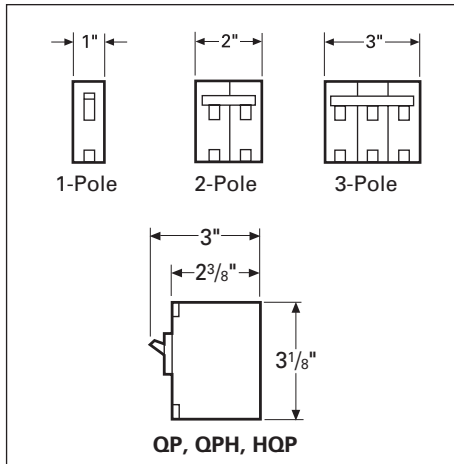
MBK225A for use in 225A load centers.

MBK175A for use in 200 and 225A load centers.

⑤ QNR required for horizontal applications or vertical applications where the lugs are facing up. The QN breaker is required for vertical applications where the lugs are facing down as shown.

# Circuit Breakers

## Line Diagrams/Dimension Drawings



Ⓞ All standard circuit breakers are calibrated to 40°C maximum ambient application.

## Circuit Breakers

## Lug Data

Circuit Breaker Type	Circuit Breaker Ampere Rating	Cables Per Connector	Connector Wire Range
	LOAD SIDE		
<b>QP, QPH, HQP, Plug-in</b>	10	1 or 2	#14-#16 AWG Cu
	15-35	1 1	#14-#6 AWG Cu #14-#6 AWG Al
	40-50	1 1	#8-#6 AWG Cu #8-#4 AWG Al
	55-125	1 1	#8-#2/0 AWG Cu #8-#2/0 AWG Al
<b>QP 1 &amp; 2-Pole Only</b>	55-60	1	#6-#4 AWG Cu-Al (#3 AWG compatible with QPH & HQP)
<b>QT</b>	15-35	1 1	#14-#6 AWG Cu #14-#6 AWG Al
	40	1	#8 AWG CU-AL
	40-50 Exception: 1 & 2-pole QP at 55-60	1 1	#8-#6 AWG Cu #8-#4 AWG Al
<b>QE, QEH, QPF, QPHF</b>	15-30	1 1	#14-#10 AWG Cu #12-#8 AWG Al
	40-60	1 1	#8-#6 AWG Cu #8-#4 AWG Al
<b>QAF2, QAFH2, QFGA2, QFGAH2</b>	15-20	1 1	#14-#12 AWG Cu #12-#10 AWG Al
<b>QD</b>	15-20	2	#14-#10 AWG Cu Only
	15-20	1 1	#14-#12 AWG Cu #12-#10 AWG Al
	25-35	1 1	#10-#8 AWG Cu #10-#6 AWG Al
	40-60	1 1	#8-#6 AWG Cu #8-#4 AWG Al
<b>QN, QNH, HQN</b>	150-225	1	#1-300kcmil Cu-Al
<b>QS, QSH, QSHH, HQS, HQSH</b>	100-225	1	#3-300kcmil Cu-Al
<b>EQ8681-Ultimate, PL, ES, PN, SN</b>	100	1	#4-3/0 AWG Cu-Al
<b>EQ8682-Ultimate, PL, ES, PN, SN</b>	125	1	#4-3/0 AWG Cu-Al
<b>EQ8693-Ultimate, PL, ES, PN, SN</b>	150	1	#1-300kcmil Cu-Al
<b>EQ8695-Ultimate, PL, ES, PN, SN</b>	200	1	#1-300kcmil Cu-Al
<b>EQ8696-Ultimate, PL, ES, PN, SN</b>	225	1	#1-300kcmil Cu-Al
<b>QPP, QPPH, HQPP, HQPPH</b>	125	1 1	#1 AWG Cu #2/0 AWG Al
	150	1 1	#1/0 AWG Cu #3/0 AWG Al
	175	1 1	#2/0 AWG Cu #4/0 AWG Al
	200	1 1	#3/0 AWG Cu 250kcmil AWG Al
	225	1 1	#4/0 AWG Cu 300kcmil AWG Al
<b>EQ9675-EQIII</b>	100	1 1	#8-#2/0 AWG Cu #8-#2/0 AWG Al
<b>EQ9677-EQIII</b>	125	1 1	#8-#2/0 AWG Cu #8-#2/0 AWG Al
<b>EQ9683-EQIII</b>	150	1 1	#1/0 AWG Cu #3/0 AWG Al
<b>EQ9684</b>	175	1 1	#3/0 AWG Cu 250kcmil AWG Al
<b>EQ9685-EQIII</b>	200	1 1	#2/0 AWG Cu #4/0 AWG Al
<b>EQ9686-EQIII</b>	225	1 1	#4/0 AWG Cu 300kcmil AWG Al
<b>QPJ</b>	125-200	1	#2-300kcmil Cu-Al

# Circuit Breakers

## Circuit Breaker Accessories

### Circuit Breaker Accessories<sup>4</sup><sup>5</sup><sup>6</sup><sup>7</sup><sup>8</sup><sup>9</sup>

Catalog Number	For Use With Breaker Type	Number of Poles	Standard Package
<b>Padlocking Device</b> For locking breaker in "OFF" position. Note "ON" position does not affect breaker functionally			
ECPLD1	Type QP, BL, QAF2, QPF2, QE, QT-Duplex, BQ, BQXD	1P	3 Pieces
ECPLD1R	Type QP, BL, QAF2, QPF, QE, QT-Duplex, BQ, BQXD (Red Color)	1P	3 Pieces
ECPLD2	Type QP, BL, QAF2, QPF, QE, QT-Triplex & Quadplex, BQ, BQXD	2P	3 Pieces
ECPLD2R	Type QP, BL, QAF2, QPF, QE, QT-Triplex & Quadplex, BQ, BQXD (Red Color)	2P	3 Pieces
ECPLD3	Type QP, BL, QAF2, QPF, QE, BQ	3P	1 Piece
US2:ECPLD3R	Type QP, BL, QAF2, QPF, QE, BQ (Red Color)	3P	1 Piece
ECQLD3	Type QP, BL, BQ, BQXD	1P	10 Pieces
ECQLD4	Type QT-Duplex	QT-Duplex Breakers	10 Pieces
ECQLN3 <sup>2</sup>	150-225 MBKA, QN, QNR	n/a	1 Piece
ECQTH4	Type QP, BL, BQH	Designed for (3) 1P Breakers	1 Piece
<b>Handle Tie</b> Provide simultaneous swiching of 2 adjacent handles.			
ECQAF2	Type QAF2, QAFN	2P	10 Pieces
ECQTH2	Type QT Duplex, BT Duplex, BTH Duplex, QTA, QTAN	Designed for (2) QT Duplex Breakers	25 Pieces
ECQTH3	Type QP, BL	2P	50 Pieces
<b>Mechanical Interlock<sup>1</sup></b>			
ECQML12	Type QP, BL, BQ Interlock Bracket	Designed for 1" Breaker	10 Pieces
<b>Handle Blocking Device</b> For holding breaker in "ON" or "OFF" position. Not a lockout/tagout device			
ECQL1	Type QP, BL, BQ, BQXD	1P	10 Pieces
ECBX231M	Type QT-Duplex	1/2" Breakers	10 Pieces
<b>Main Breaker Retainer</b>			
ECMBR1 <sup>3</sup>	EQ Load Centers		1 Piece
ECMBR2	PN, SN, PL, ES and Ultimate Load Centers: 2-Pole QP		1 Piece
ECMBR3	PL, ES, and Ultimate Load Centers: 3-pole QP		1 Piece
<b>Mounting Accessories</b>			
MB120	Type BQ, BQH Mounting Clips	1P	20 Pieces
FP9508	Type BQ, BQH FACE MOUNT PLATE	1P	10 Pieces
FP9555	Type BQ, BQH FACE MOUNT PLATE	2P	10 Pieces
FP9556	Type BQ, BQH FACE MOUNT PLATE	3P	10 Pieces
SMB6R	Type BQ MOUNTING BRACKET	1P, 2P, 3P	6 Pieces
TCH65K	Type BQ MOUNTING ADAPTER		500 Pieces
BR2	Type BQ, BQH, BQXD Back Mounting Plates	2P	10 Pieces
BR3	Type BQ, BQH, BQXD Back Mounting Plates	3P	10 Pieces
BR4	Type BQ, BQH, BQXD Back Mounting Plates	4P	10 Pieces
I0204ML1125CU	Type QP Back Mounting Plates	1P, 2P	10 Pieces
I0303ML3100CU	Type QP Back Mounting Plates	3P	10 Pieces
<b>Replacement Lugs</b>			
TA1Q1	Type BQ, NGG 100A AI Cu LGS	n/a	6 Pieces
TC1Q1	Type BQ, NGG 40A AI Cu LUGS	n/a	6 Pieces
<b>Finger Shield</b>			
BQFS1K	Type BQXD Finger Shield (Bulk Pack)	n/a	1000 Pieces
BQFS2	Type BQXD Finger Shield	n/a	2 Pieces
<b>Filler Plate</b>			
ECQF3	1" Filler Plate	n/a	5 Pieces

<sup>4</sup> For a complete list of standby power mechanical interlock kits, see page 1-26

<sup>5</sup> For use with Ultimate Load Center Main Breakers

<sup>6</sup> Not suitable for use on 15-50A, 10 AIC Type QP Circuit Breakers

<sup>7</sup> QP Type includes QPH, HQP

<sup>8</sup> BL Type includes BLH, HBL

<sup>9</sup> BQ Type includes BQH, HBO

<sup>1</sup> QAF2 Type includes QAFH2, BAF2, BAFH2, QFGA2, QFGAH2, BFGA2, BFGAH2

<sup>2</sup> QPF Type includes QPHF, BLF, BLHF

<sup>3</sup> QE Type includes QEH, BLE, BLEH

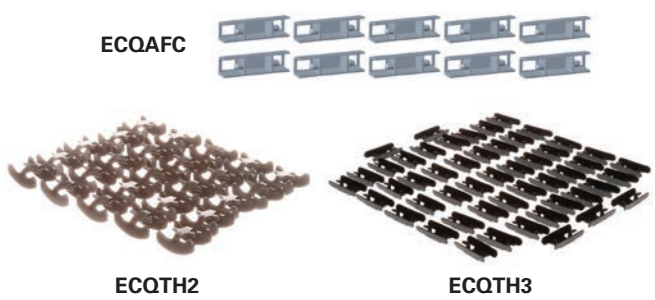
# Circuit Breakers

## Circuit Breaker Accessories

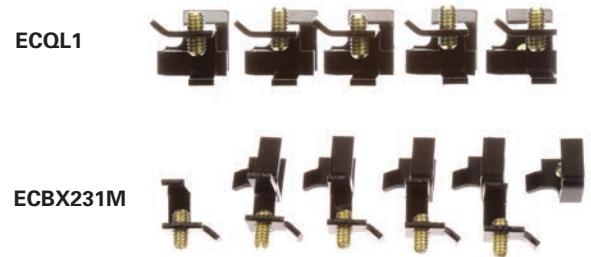
### Padlocking Device



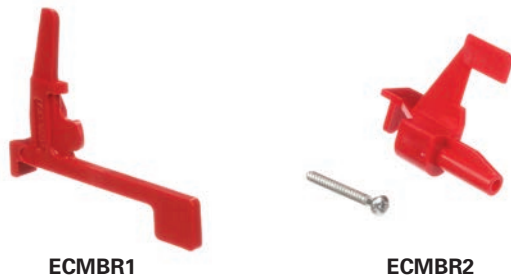
### Handle Tie



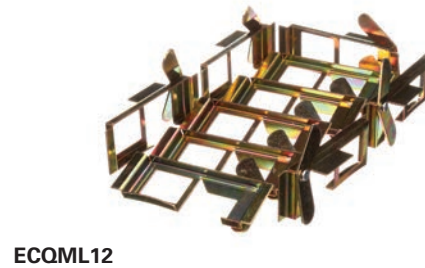
### Handle Blocking Device



### Main Breaker Retainer



### Mechanical Interlock



### Mounting Accessories



# Surge Protective Devices

## Circuit Breaker and Surge Protective Device (SPD)

### 1 Features

- 2 inch wide plug-in design
  - Includes (2) 1 Pole circuits breakers
  - No loss of load center spaces
- Easy to install and perfect for retrofit
- LEDs provide protection status
- Warranty: 2 years, \$20k

### Benefits

By installing a Siemens Circuit Breaker and Surge Protective Device (SPD) in the load center of the residence, surge protection is provided for all branch circuits<sup>①</sup>.

Two green LED indicator lights are provided to show that surge protection is provided for all circuits connected to the load center. These breakers should be used for circuit protection of frequently used household or facility circuits because the lights and devices connected to these circuits provide an effective indication that surge protection is being provided.

The circuit breaker and SPD utilize Siemens-built 150V AC, 40mm, metal oxide varistors (MOVs). The maximum impulse rating for the SPD module is 40kA. The standard interrupting rating for the circuit breakers is 10k AIC. All Type QP circuit breakers and SPD are plug-in style, with load terminals provided. The devices are rated for 120/240V AC and are calibrated for 40 degrees C maximum ambient applications.



Breaker Type	Ampere Rating	Catalog Number	Surge Type
QP 1- Pole 120/240V AC 10K AIC	(2) 15	QSA1515SPD	SPD
	(2) 20	QSA2020SPD	SPD

<b>Catalog Number</b>	QSA1515SPD QSA2020SPD
<b>Amperage</b>	15 or 20 Amp
<b>Number of Poles</b>	(2) 1-Pole Circuit Breakers
<b>Initial Clamping Level</b>	240 Volts
<b>Transient Energy Rating</b>	360 Joules line-to-neutral 720 Joules line-to-line
<b>Transient Suppression</b>	500 volts peak, line-to-neutral
<b>Voltage Rating</b>	1000 volts peak, line-to-line
<b>Peak Current Rating (impulse)</b>	40,000 amperes
<b>Discharge Voltage Characteristic</b>	@ 1,500A, 600 volts @ 5,000A, 800 volts (both line-to-neutral)
<b>Discharge Current Withstand Rating</b>	10,000 amperes line-to-neutral
<b>Circuit Breaker Interrupting Rating</b>	10,000A, 120/240V AC
<b>Listings/Certifications</b>	UL, CSA Meets UL 1449 4th Edition

<sup>①</sup> For warranty information please refer to the surge website [www.usa.siemens.com/surge](http://www.usa.siemens.com/surge)

# BoltShield™ Surge Protective Devices

QSPD – Residential Surge Protection for Load Centers

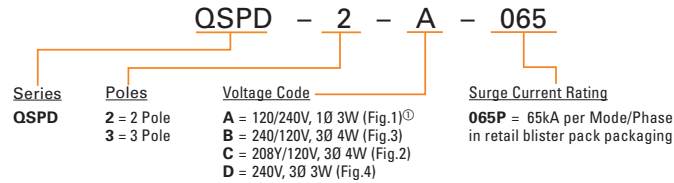
Catalog Logic

LOAD CENTERS & CIRCUIT BREAKERS

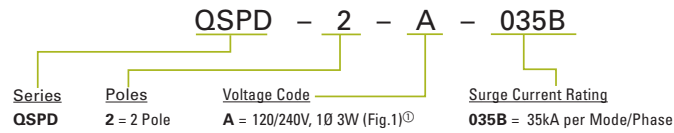
## QSPD series for load centers

### Ordering Information

#### QSPD catalog number logic



#### QSPD-Base catalog number logic



### Product specifications

General specifications	QSPD	QSPD-Base
Maximum surge current rating range	65kA per phase	35kA per phase
UL Type designation	SPD Type 1 <sup>Ⓣ</sup>	
UL 1449 I-nominal rating	20kA	
UL 1449 short circuit current rating	200kA	22kA
Repetitive impulse	5,000 hits	
Response time	<1 ns	

Diagnostic monitoring specifications	QSPD	QSPD-Base
Green/red visual mechanical flag failure indicators	✓	✓
Flashing dual color LED (green/red) status indicator	✓	—
Audible alarm with silence switch/button	✓	—
Design specifications	QSPD	QSPD-Base
Monolithic distribution grade MOV	✓	✓
Integrated optimized thermal protection	✓	✓
Fits in footprint of Siemens QP breaker	✓	✓
Modes of protection (L-N or L-G, L-L)	✓	✓

### QSPD Catalog Numbers and UL 1449 performance data

Catalog numbers	System voltage	L-N (L-G)	L-L	I <sub>n</sub>	SCCR	MCOV	Breaker form factor	Warrenty
<b>QSPD</b>								
QSPD2A065P <sup>Ⓣ</sup>	120/240V, 1Ø, 3W <sup>Ⓣ</sup>	600V	1000	20kA	200kA	150V	2-P, QP	10 years \$50,000
QSPD3B065	240/120V, 3Ø, 4W	600V/900V	1200	20kA	200kA	150V	3-P, QP	10 years \$50,000
QSPD3C065	208Y/120V, 3Ø, 4W	600V	1000	20kA	200kA	150V	3-P, QP	10 years \$50,000
QSPD3D065	240V, 3Ø, 3W	900V	1500	20kA	200kA	280V	3-P, QP	10 years \$50,000
<b>QSPD-Base</b>								
QSPD2A035B	120/240V, 1Ø, 3W <sup>Ⓣ</sup>	700V	1200	20kA	22kA	150V	2-P, QP	3 years \$10,000

### Benefits of installing multiple QSPDs

Adding multiple QSPDs in a single load center can increase the modes of protection and the surge capacity.

See the Boltshield brochure for more details and review the example chart below:

No. of QSPDs or QSPD-Bases	Connection	Modes of protection	Multiple QSPD		Multiple QSPD-Base	
			Surge current capacity per mode	Surge current capacity per phase	Surge current capacity per mode	Surge current capacity per phase
1	Neutral	3	65kA	65kA	35kA	35kA
2	Neutral + Ground	6	65kA	130kA	35kA	70kA
2	Neutral	3	130kA	130kA	70kA	70kA
3	Neutral(2) + Ground(1)	6	130kA(L-N) + 65kA (L-G)	195kA	70kA(L-N) + 35kA (L-G)	105kA
3	Ground	3	195kA	195kA	105kA	105kA
4	Neutral(2) + Ground(2)	6	130kA	260kA	70kA	140kA

<sup>Ⓣ</sup> Can also be used on 208Y/120V, 1Ø, 3W system.  
<sup>Ⓣ</sup> Type 1 SPDs suitable for use in Type 2 applications.

<sup>Ⓣ</sup> QSPD2A065P comes in retail style blister pack packaging.

# BoltShield™ Surge Protective Devices

FSPD – Residential Externally Mounted SPDs

Catalog Logic

LOAD CENTERS & CIRCUIT BREAKERS

## FSPD Series for External Applications

### FSPD036

#### Features & Benefits

- UL 1449 Listed
- Type 1 Rated SPD
- Surge Current Rating 36kA
- Nominal Rating 10kA
- Short Circuit Current Rating 200kA
- Voltage Code A 120/240V, 1Ø, 3W
- Reduced mode of protection (L1-N, L2-N, L-L)
- LED Protection Status Monitoring (Single LED Standard)
- Warranty: 3 years, \$10K



FSPD036

### FSPD060 | FSPD100 | FSPD140

#### Features & Benefits

- UL 1449 Listed
- Type 2 Rated SPD
- Surge Current Rating:
  - FSPD060 60kA
  - FSPD100 100kA
  - FSPD140 140kA
- Nominal Rating 20kA
- Short Circuit Current Rating 200kA
- Voltage Code A 120/240V, 1Ø, 3W
- All modes of protection (L-N, L-G, N-G)
- LED Protection Status Monitoring and audible alarm
- GRM (Ground Reference Monitoring), N-G>20V detected
- Warranty:
  - FSPD060 – 10 years, \$50K
  - FSPD100 – 10 years, \$75K
  - FSPD140 – 10 years, \$100K



FSPD060, FSPD100, FSPD140

#### FSPD Series Catalog Number and Performance data

Catalog numbers	System voltage	L-N	L-G	L-L	N-G	MCOV
FSPD036	120/240V, 1Ø, 3W	700	—	1200	—	180
FSPD060	120/240V, 1Ø, 3W	700	700	1200	700	180
FSPD100	120/240V, 1Ø, 3W	700	700	1200	700	180
FSPD140	120/240V, 1Ø, 3W	700	700	1200	700	180

#### FSPD Accessories — Flush Mount Kits

Catalog numbers	Description
FSPD036FK	FSPD036 Flush Mount Kit
FSPD140FK	FSPD060/FSPD100/FSPD140 Flush Mount Kit

# AC Disconnects and Enclosed Receptacles

1-Phase, NEMA 3R Rated



## Steel AC Disconnects<sup>①</sup>

Ampere Rating	Disconnect Type	Catalog Number	Horse Power Rating	Dimensions			Pallet Qty.
				Height	Width	Depth	
30	Fused Pullout	WF2030U	3	7 <sup>7</sup> / <sub>8</sub>	5	2 <sup>5</sup> / <sub>16</sub>	230
60	Fused Pullout	WF2060U	10	9 <sup>7</sup> / <sub>8</sub>	5	2 <sup>1</sup> / <sub>2</sub>	200
60	Non-fused Pullout	WN2060U	10	7 <sup>7</sup> / <sub>8</sub>	5	2 <sup>5</sup> / <sub>16</sub>	306
60	Non-automatic Switch	WNAS2060	10	7 <sup>1</sup> / <sub>4</sub>	5	2 <sup>5</sup> / <sub>8</sub>	360

## Plastic AC Disconnects<sup>①</sup>

Ampere Rating	Disconnect Type	Catalog Number	Horse Power Rating	Dimensions			Pallet Qty.
				Height	Width	Depth	
60	Fused Pullout	WF2060PL	10	7 <sup>1</sup> / <sub>4</sub>	5	2 <sup>1</sup> / <sub>2</sub>	288
60	Non-fused Pullout	WN2060PL	10	7 <sup>1</sup> / <sub>4</sub>	5	2 <sup>1</sup> / <sub>2</sub>	360
60	Non-Fused Pullout	WN2060PLX	10	8	5 <sup>3</sup> / <sub>4</sub>	3 <sup>1</sup> / <sub>2</sub>	288

## Steel AC Disconnects with 15 Amp GFCI Receptacle<sup>①</sup>

Ampere Rating	Disconnect Type	Catalog Number	Horse Power Rating	Dimensions			Pallet Qty.
				Height	Width	Depth	
60	Fused Pullout	WF2060GFCI	10	9	6 <sup>1</sup> / <sub>8</sub>	5 <sup>5</sup> / <sub>16</sub>	160
60	Non-fused Pullout	WN2060GFCI	10	7 <sup>7</sup> / <sub>8</sub>	5 <sup>3</sup> / <sub>4</sub>	5 <sup>5</sup> / <sub>16</sub>	240
60	Non-automatic Switch	WNAS2060GFCI	10	7 <sup>7</sup> / <sub>8</sub>	5 <sup>3</sup> / <sub>4</sub>	5 <sup>5</sup> / <sub>16</sub>	240

## Enclosed Receptacles

Amperage	Catalog Number	Receptacle Provision
30	LGP3S	TT-30R
50	LGP1S	14-50R



<sup>①</sup> Accepts Class H Fuse

# Load Centers & Circuit Breakers

Notes

1

LOAD CENTERS &  
CIRCUIT BREAKERS